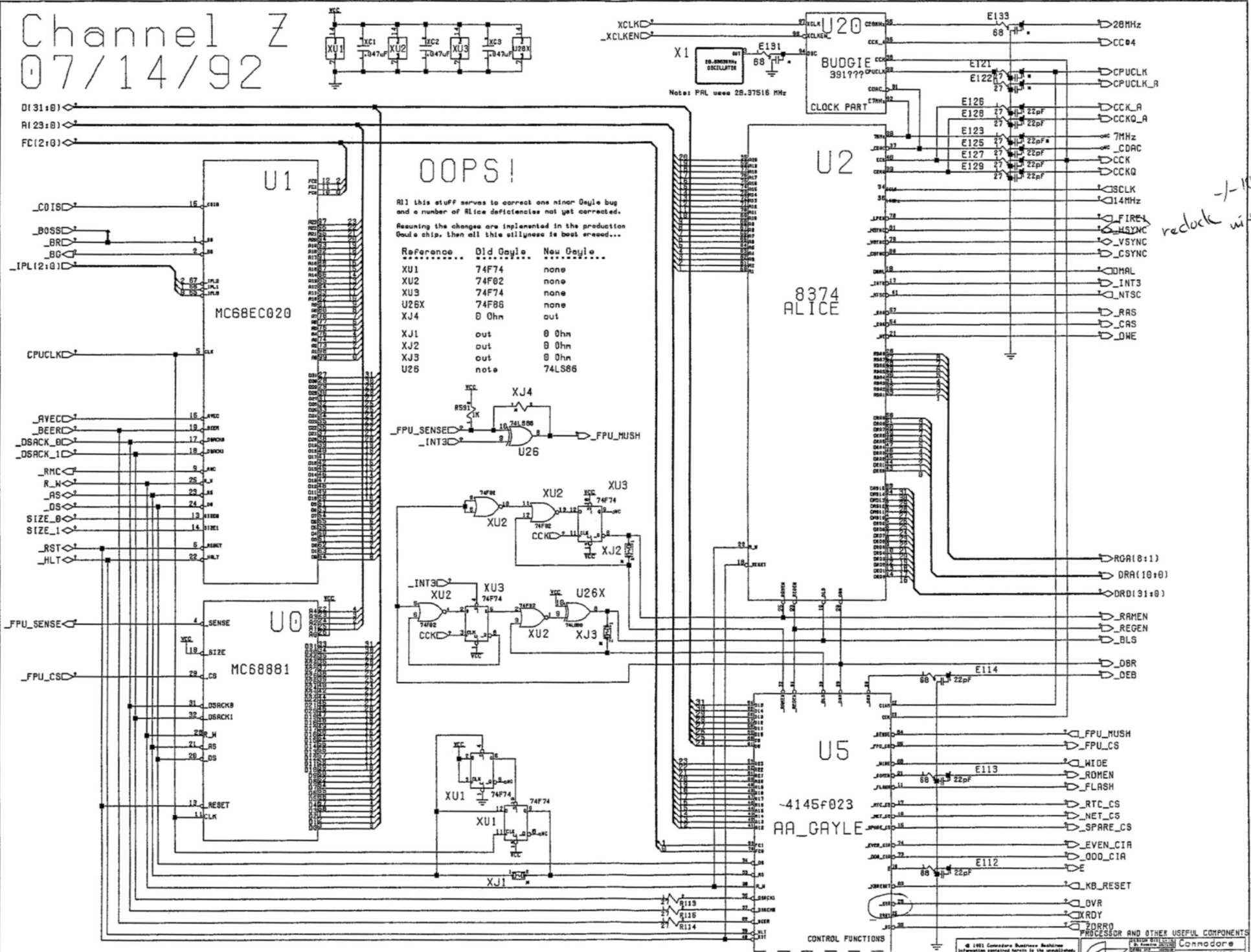


Channel Z
07/14/92



redlock with 2

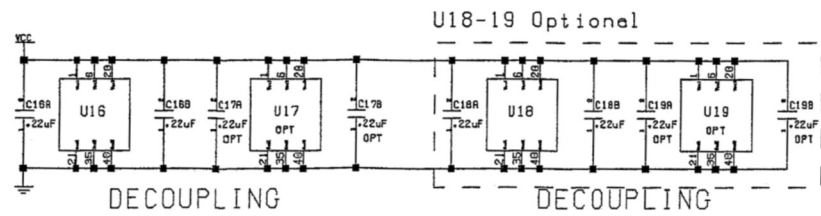
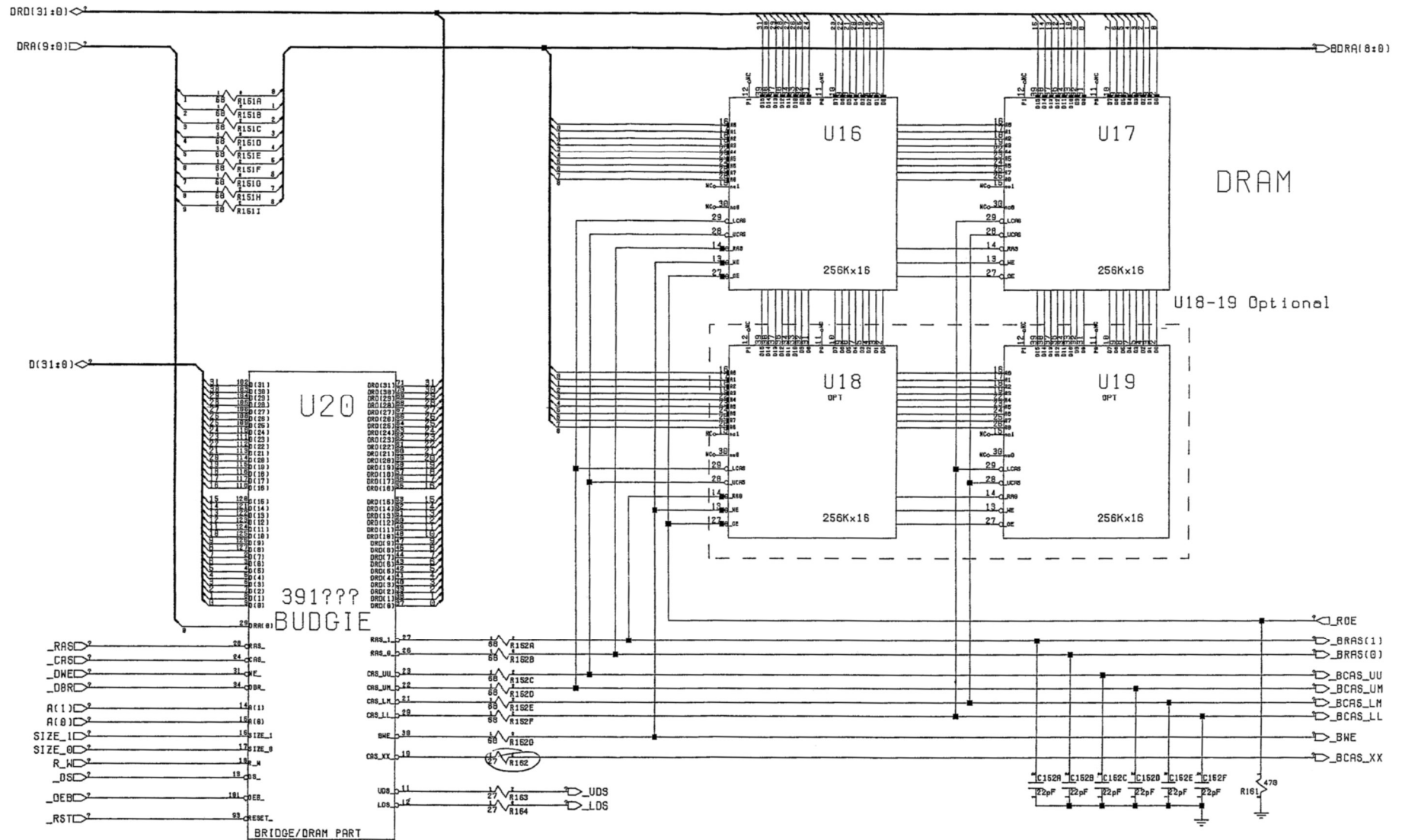
A1200 Rev 1 PCB

Notes: Various components are for EMI Control and may be loaded with Funny things...

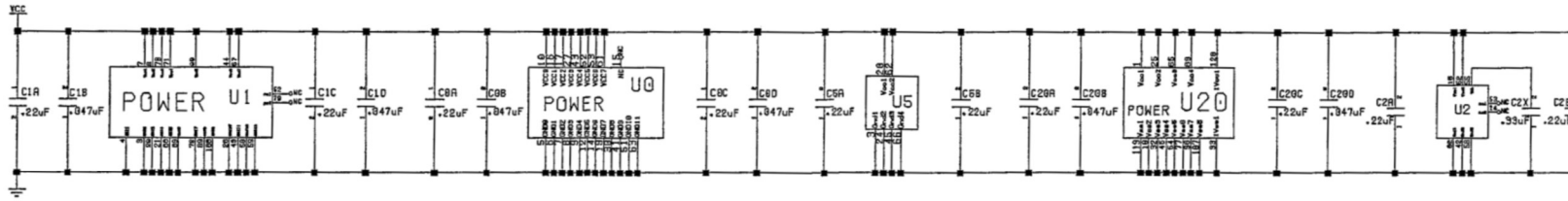
© 1991 Commodore Business Machines
Information contained herein is the confidential and trade secret property of Commodore Business Machines, Inc. Any reproduction or disclosure of this information without the prior written consent of Commodore is strictly prohibited.

C.R.O. Generated
No serial design may be made by this document

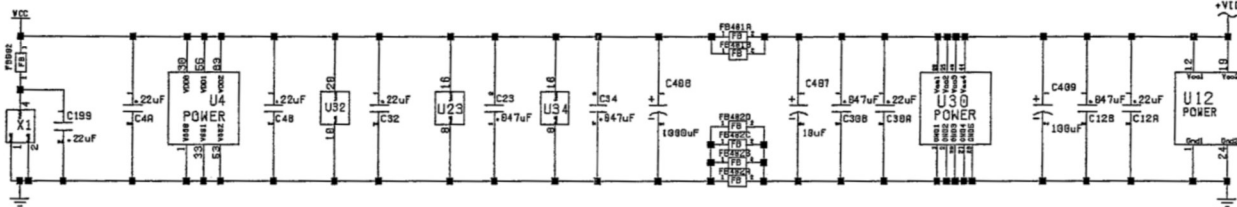
Commodore
A1200 Rev. 1
07/13/92
Channel Z
13647178
SCALE PART E W 13



GENERAL DECOUPLING

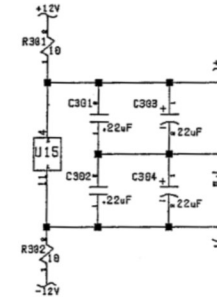


VIDEO DECOUPLING

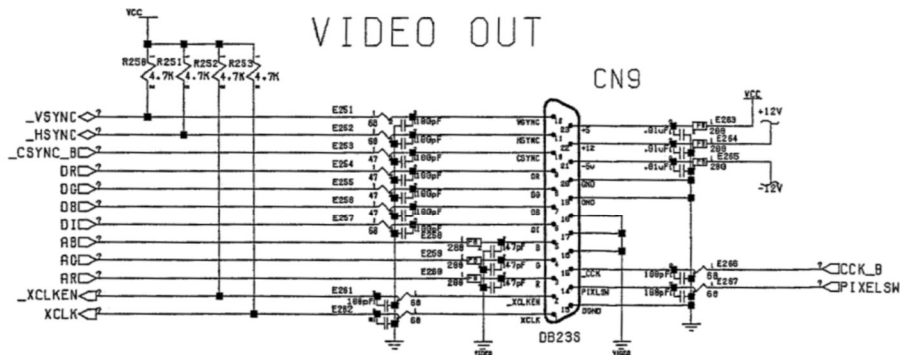


Notes: F8402x should be at corners of Video power planes.

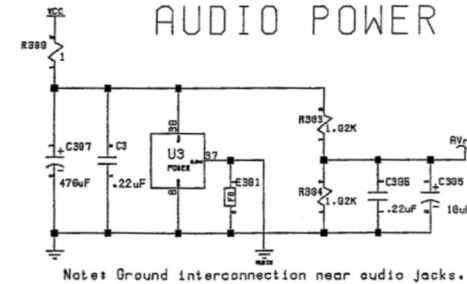
AUDIO DECOUPLING



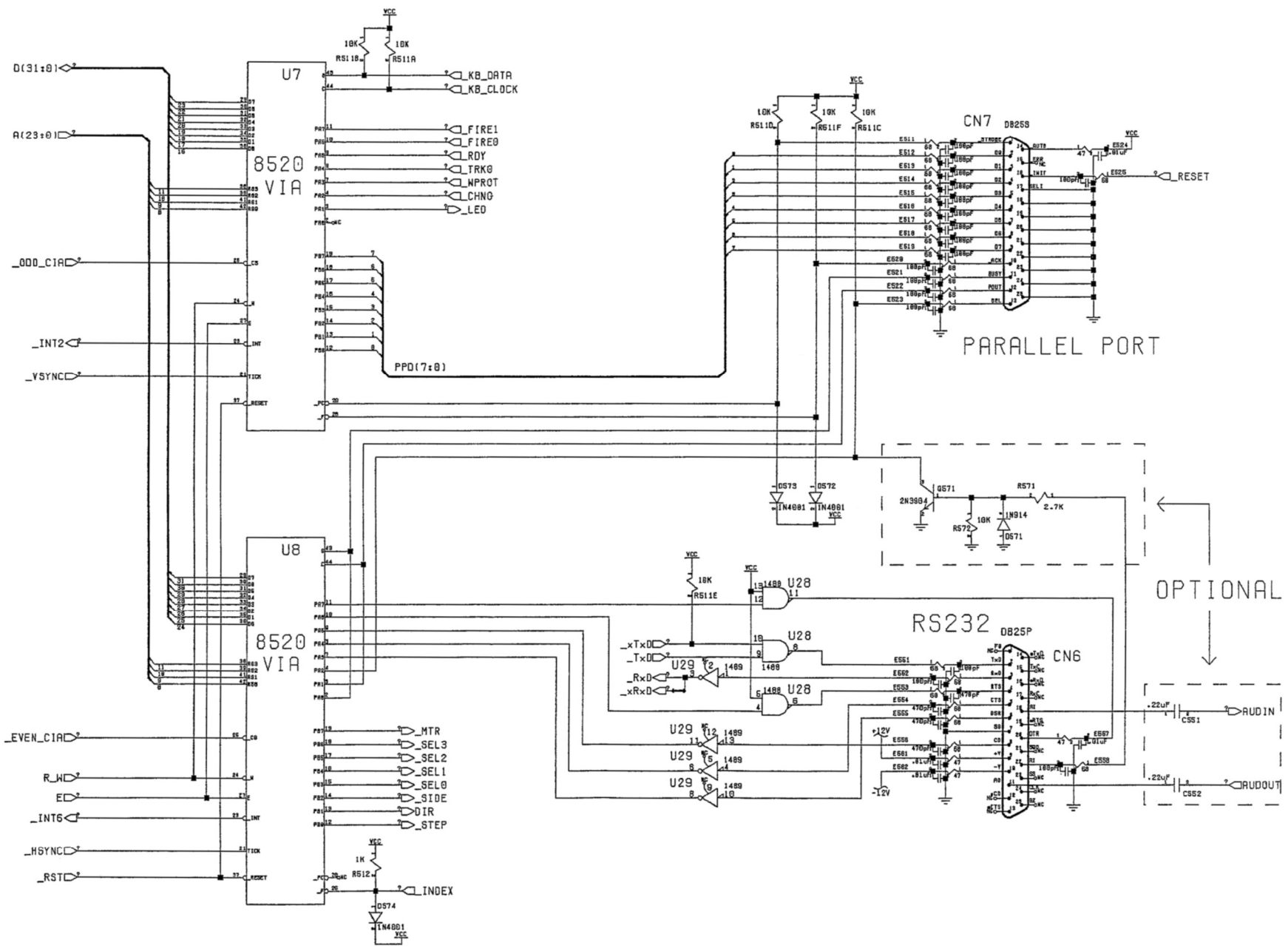
VIDEO OUT



AUDIO POWER



Notes: Ground interconnection near audio jacks.



A1200 Rev 1 PCB

© 1981 Commodore Business Machines
 Information disclosed herein is the confidential and trade secret property of Commodore Business Machines, Inc. Any use, reproduction or disclosure of this information without the prior written consent of Commodore is strictly prohibited.

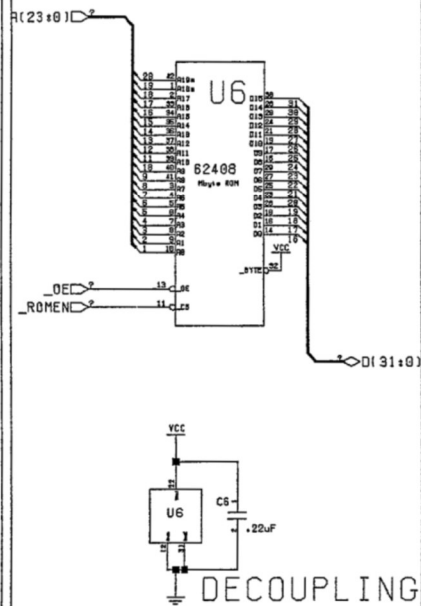
C.A.D. Generated
 No manual changes may be made to this document

DESIGN BY: [Signature]
 CHECKED BY: [Signature]
 DATE: 08/11/81
 TITLE: A1200 Main Board Channel 2

Commodore
 C.A1200 Main Board Channel 2

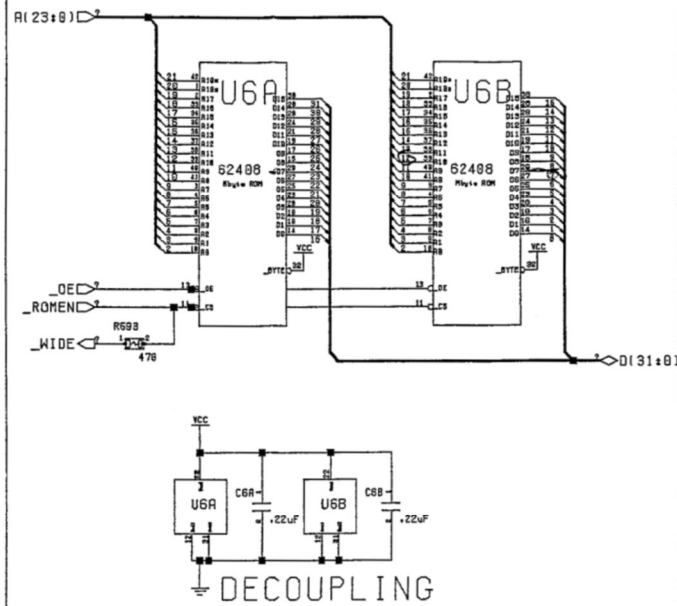
36471716
 SCALE SHEET 3 OF 13

16-BIT ROM



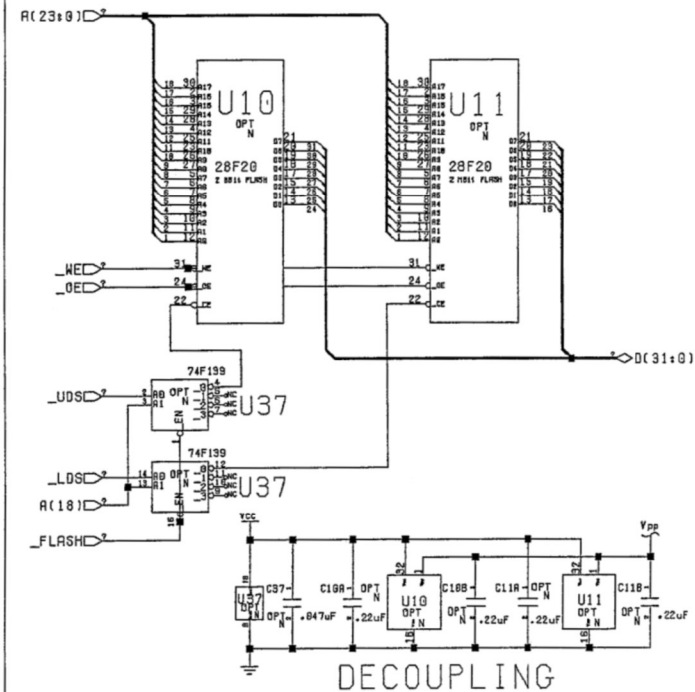
if rom16="yes"

32-BIT ROM



if rom32="yes"

FLASH MEMORY

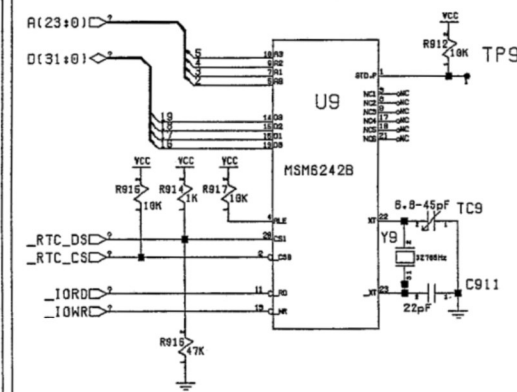


if flash="yes"

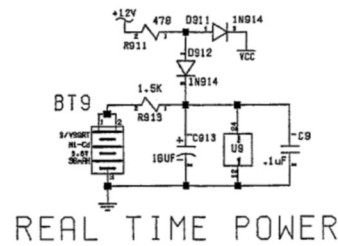
16 AND 32-BIT SOCKETS MAY OVERLAP!

OPTIONAL FLASH MEMORY

REAL TIME CLOCK

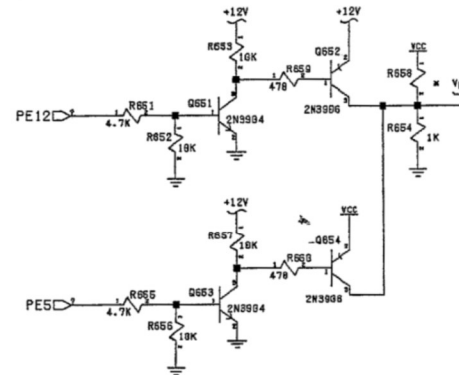


if rtc="yes"



REAL TIME POWER

PROGRAMMING VOLTAGE



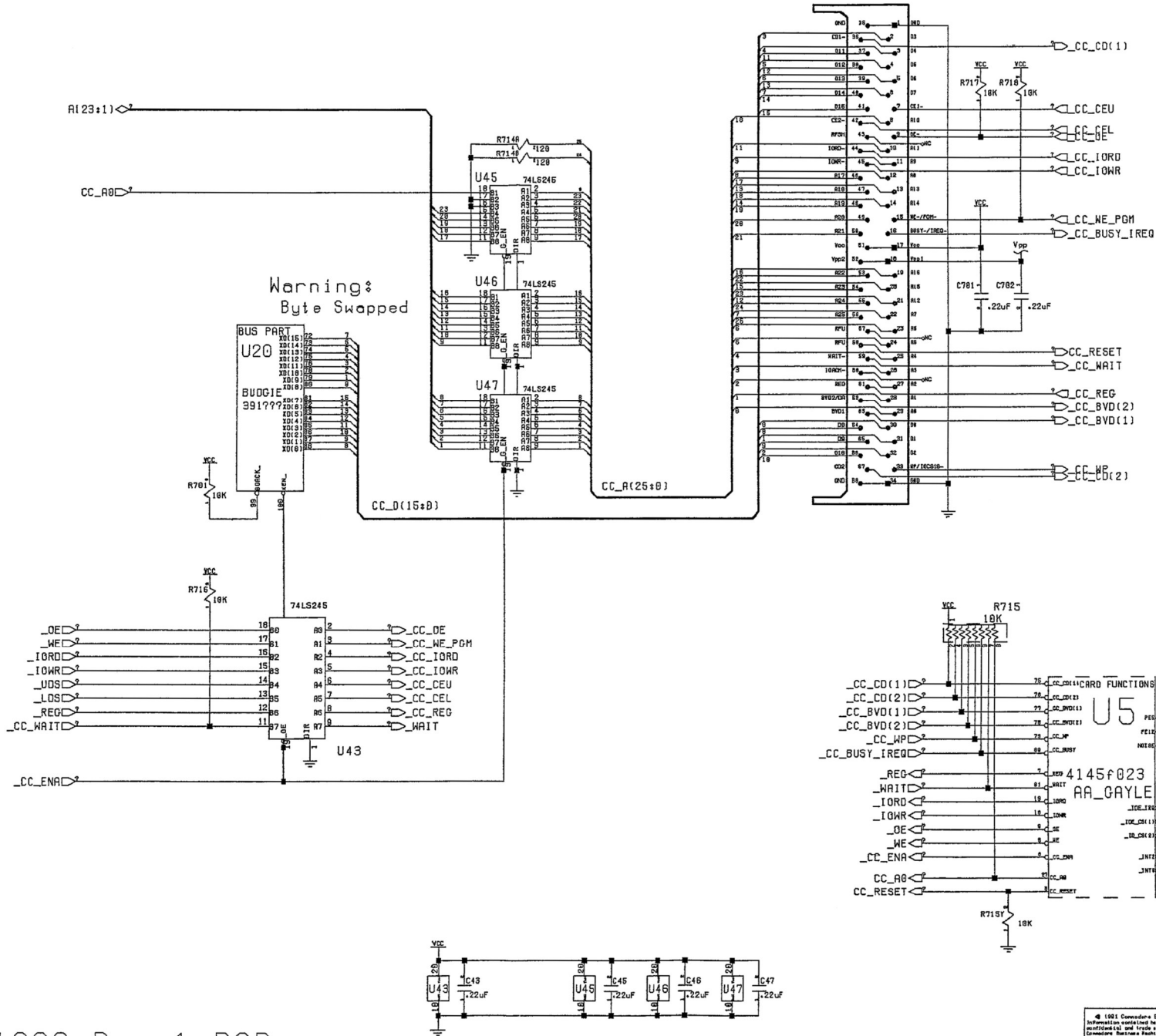
OPTIONAL REAL-TIME CLOCK/CALENDAR

A1200 Rev 1 PCB

Note: We really want Ricoh Part!

MEMORY CARD

CN15



A1200 Rev 1 PCB

THE KISSY FACE CREDIT CARD MONSTER

© 1991 Commodore Business Machines
 Information contained herein is the unpublished
 property of Commodore Business Machines, Inc. Any
 reproduction or disclosure of this information
 without the prior written permission of
 Commodore is strictly prohibited.

C.R.D. Generated

PCB 364717

DATE: 11/18/91

DESIGNER: J. SCHWARTZ

DATE: 11/18/91

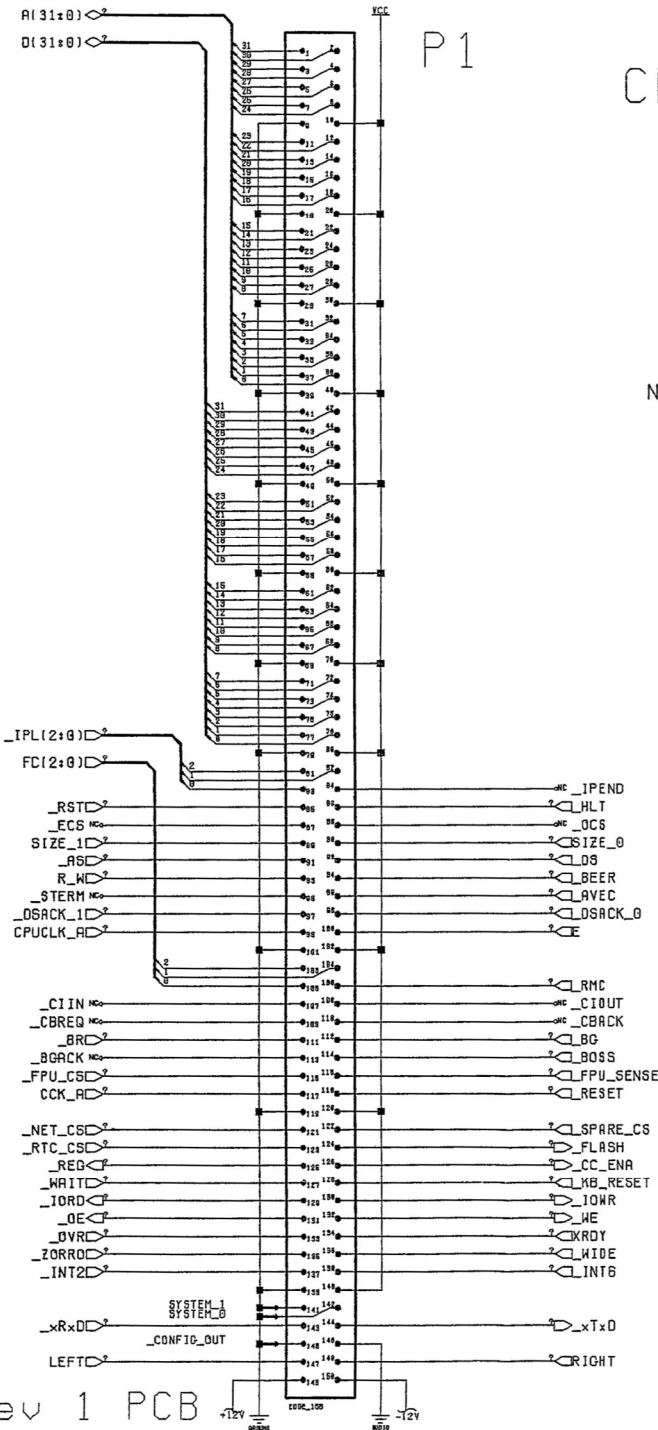
PCB: 364717

DATE: 11/18/91

PCB: 364717

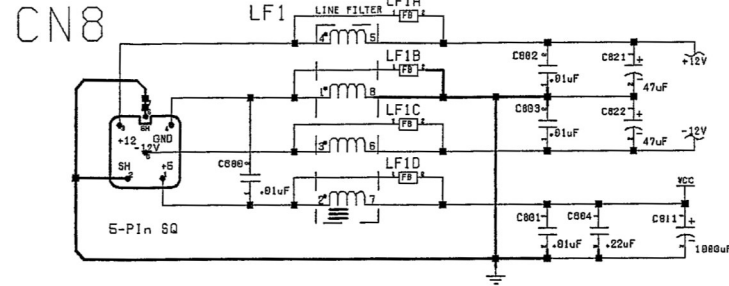
DATE: 11/18/91

EXPANSION CONNECTOR

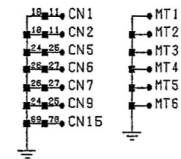


A1200 Rev 1 PCB

POWER INPUT

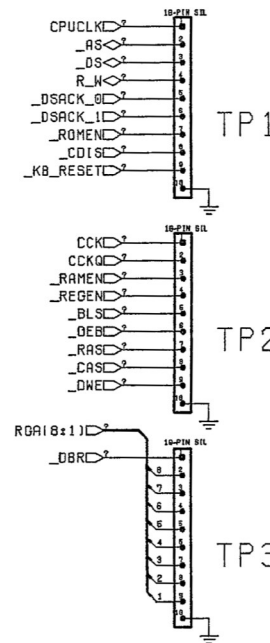


HOLES & c.

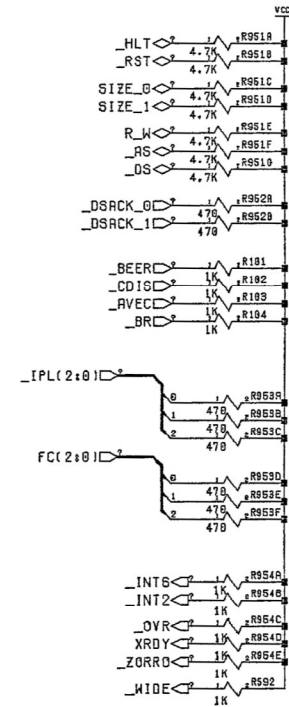


NOTE: HEAVY LINES INDICATE A SINGLE POINT CONNECTION

TEST ACCESS



TERMINATION



System Configuration Bits

SYSTEM	1	0	CPU/CPUCLK
0	0	0	EC020/14MHz
0	1	0	UNDEFINED
1	0	0	030/14MHz
1	1	0	030/28MHz

POWER DISTRIBUTION AND DECOUPLING

© 1981 Commodore Business Machines
Information contained herein is the unclassified, unencrypted, and trade secret property of Commodore Business Machines, Inc. Any use, reproduction or disclosure of this information without the prior written permission of Commodore is strictly prohibited.

Commodore
C1200 Main Board
364717

C.R.D. Generated
No further changes may be made to this document.

Gayle

```

          / /
          D D
          S S
          A A
    G      / /
A A A A A A A N A A A A R H / C R C / /
2 2 2 2 1 1 1 1 D 1 1 1 1 S L B K / K D A
3 2 1 0 9 8 7 6 3 5 4 3 2 T T G O W I S S

```

	53	52	51	50	49	48	47	46	45	44	43	42	41	40	39	38	37	36	35	34	33			
D15	54																					32	/RAMEN	
D14	55																						31	/REGEN
D13	56																						30	/BLS
D12	57																						29	/DBR
D11	58																						28	/OEB
D10	59																						27	CC_A0
D9	60																						26	/OVR
D8	61																						25	XRDY
VCC2	62																						24	GND2
/KBRESET	63																						23	CCK
/SENSE	64																						22	C14M
/FPU_CS	65																						21	/ROMEN
GND4	66																						20	VCC1
/MTRON	67																						19	/IORD
/WIDE	68																						18	/IOWR
FC1	69																						17	/RTC_CS
FC0	70																						16	/NET_CS
/MTR	71																						15	/SPARE_CS
/SEL	72																						14	/IDE_CS(2)
/ODD_CIA	73																						13	/IDE_CS(1)
/EVEN_CIA	74																						12	/IDE_IRQ
		75	76	77	78	79	80	81	82	83	84	1	2	3	4	5	6	7	8	9	10	11		

```

/ / / / / / / / / P P G N C / / / / E /
C C C C C C W B I I E E N O C C R W O F
C C C C C C A E N N 1 5 D I _ C E E E L
- - - - - I R T T 2 1 S R _ G A
C C B B W B T R 6 2 E E E S
D D V V P U S N H
1 2 D D S E A
      1 2 Y      T

```

Alice

```

      / / /
V D D D D D D D D D G N   C 7 C 4   S R
N C R R R R R R R R R R N T C C M D M A C G
C C A A A A A A A A A D S C K H A H 2 L A
1 2 8 7 6 5 4 3 2 1 0 2 C K Q z C z 0 K 1

```

	53	52	51	50	49	48	47	46	45	44	43	42	41	40	39	38	37	36	35	34	33			
/CAS	54																					32	RGA2	
VBB	55																						31	RGA3
DRA9	56																						30	RGA4
/RAS	57																						29	RGA5
GND3	58																						28	RGA6
A19	59																						27	RGA7
A1	60																						26	RGA8
A2	61																						25	/RAMEN
A3	62																						24	NC2
A4	63																						23	/REGEN
A5	64																						22	R_W
A6	65										8	3	7	4									21	/WE
A7	66																						20	/DBR
A8	67																						19	/BLS
A9	68																						18	DMAL
A10	69																						17	/INTR
A11	70																						16	/RESET
A12	71																						15	VCC1
A13	72																						14	DRD0
A14	73																						13	DRD1
A15	74																						12	DRD2
	75	76	77	78	79	80	81	82	83	84	1	2	3	4	5	6	7	8	9	10	11			

```

A A A / / / / G D D D D D D D D D D D D D D D
1 1 1 L V C H N R R R R R R R R R R R R R R R
6 7 8 P S S S D D D D D D D D D D D D D D D
      E Y Y Y 1 1 1 1 1 1 1 9 8 7 6 5 4 3
      N N N N   5 4 3 2 1 0
      C C C

```

Lisa

G C G
 N 2 N
 D R R R R R G G G G 8 G G G G B B B B B D
 3 4 3 2 1 0 7 6 5 4 0 3 2 1 0 7 6 5 4 3 2

	53	52	51	50	49	48	47	46	45	44	43	42	41	40	39	38	37	36	35	34	33			
R5	54																					32	B2	
R6	55																						31	B1
VCC2	56																						30	VCC1
R7	57																						29	B0
/BRST	58																						28	ZD
D31	59																						27	BLANK
D30	60																						26	SOG
D29	61																						25	C28M
D28	62																						24	/RST
D27	63																						23	C140
D26	64																						22	SCLK
D25	65									4	2	0	3										21	/MLD
D24	66																						20	MDAT
D23	67																						19	RGA1
D22	68																						18	RGA2
D21	69																						17	RGA3
D20	70																						16	RGA4
D19	71																						15	RGA5
D18	72																						14	RGA6
D17	73																						13	RGA7
D16	74																						12	RGA8
		75	76	77	78	79	80	81	82	83	84	1	2	3	4	5	6	7	8	9	10	11		

D D D D D D D D V D G D D D D D D / C W
 1 1 1 1 1 1 9 8 C 7 N 6 5 4 3 2 1 0 C C I
 5 4 3 2 1 0 C D A K D
 3 1 S E