

JUMPERS AND STUFF

REF	TYPE	DESCRIPTION	PAGE
R246	SMT	NTSC COLOR BURST	4
R202	SMT	PAL COLOR BURST	4
R625	SMT	KEYBOARD MPU CLOCK	9
R624	SMT	KEYBOARD/SYSTEM RESET	9

CONNECTOR

REF	TYPE	DESCRIPTION
CN1	DB9P	MOUSE/JOY1
CN2	DB9P	MOUSE/JOY2
CN3	RCA-J	RIGHT AUDIO
CN4	RCA-J	LEFT AUDIO
CN5	DB25S	EXTERNAL F
CN6	DB25P	RS232 SER
CN7	DB25S	PARALLEL
CN8	SQ DIN	POWER SUPP
CN9	DB23P	VIDEO OUT
CN10	RCA-J	COMPOSITE
CN11	DIL-34	INTERNAL F
CN12	SIL-4	INTERNAL F
CN13	MEM-30	KEYBOARD F
CN14	SIL-4	INTERNAL F
CN13	MEM-30	KEYBOARD M
CN14	SIL-4	KEYBOARD S
CN15	PCMCIA	PC *MEMORY
P9	EDGE-8	MEMORY BUS

SIGNAL GLOSSARY

SIGNAL	DESCRIPTION (AREA)	PAGES
28MHZ	28.63636 MHZ MASTER CLOCK	
7MHZ	7.15909 MHZ PROCESSOR CLOCK	
A[23:1]	PROCESSOR ADDRESS BUS (68000)	
ACK	DATA ACKNOWLEDGE (PARALLEL PORT)	
AS	ADDRESS STROBE (68000)	
AUDIN	AUDIO INPUT (RS232 PORT)	
AUDOUT	AUDIO OUTPUT (RS232 JACK)	
BEER	BUS ERROR (68000)	
BG	BUS GRANT (68000)	
BGACK	BUS GRANT ACKNOWLEDGE (68000)	
BLISS	BLITTER SLOWDOWN (CHIPS)	
BLIT	CHIP MEMORY ACCESS (CHIPS)	
BR	BUS REQUEST (68000)	
BUSY	DEVICE BUSY (PARALLEL PORT)	
CASL/U	COLUMN ADDRESS STROBE (DRAM)	
CCK/CCKO	COLOR CLOCK / QUADRATURE (CHIPS)	
CDAC	7.15909 MHZ QUADRATURE CLOCK (CHIPS)	
CHNG	MEDIA CHANGE (FLOPPY)	
CLKRD/WR	READ-TIME CLOCK READ / WRITE (RTC)	
COMP	MONOCHROME COMPOSITE VIDEO (VIDEO)	
CSYNC	COMPOSITE SYNC (VIDEO)	
CTS	CLEAR TO SEND (RS232 PORT)	
D[15:0]	PROCESSOR DATA BUS (68000)	
DIR	STEP DIRECTION (FLOPPY)	
DKRD	DISK READ DATA (FLOPPY)	
DKWD	DISK WRITE DATA (FLOPPY)	
DKWE	DISK WRITE ENABLE (FLOPPY)	
DMAL	CHIP DMA REQUEST LINE (CHIPS)	
DRA[8:0]	DRAM ADDRESS BUS (DRAM)	
DRA[15:0]	DRAM DATA BUS (DRAM)	
DSR	DATA SET READY (RS232 PORT)	
DTACK	DATA TRANSFER ACKNOWLEDGE (68000)	
DIR	DATA TERMINAL READY (RS232 PORT)	
E	PERIPHERAL ENABLE CLOCK (68000)	
EXTICK	EXPANSION PRESENT / RTC TICK	
FC[2:0]	FUNCTION CODE (68000)	
FIREO/I	FIRE BUTTON O/I (JOYSTICKS)	
HLT	PROCESSOR HALT (68000)	
Hsync	HORIZONTAL SYNC (VIDEO)	
INDEX	INDEX PULSE (FLOPPY)	
INT[2,3,6]	INTERUPT REQUEST (CHIPS)	
IORSET	I/O RESET	
IPL[2:0]	INTERUPT PRIORITY LEVEL (68000)	
KBCLOCK	KEYBOARD CLOCK (KEYBOARD)	
KBDATA	KEYBOARD DATA (KEYBOARD)	
KBRESET	KEYBOARD RESET (KEYBOARD)	
LDS/UDS	UPPER / LOWER DATA STROBES (68000)	
LED	POWER ON LED / AUDIO FILTER DISABLE	
LEFT/RIGHT	LEFT RIGHT AUDIO (AUDIO)	

SIGNAL	DESCRIPTION
Lpen	LIGHT PEN TR
MTR	MOTOR ON (FL
MTRO	MOTOR ON - O
MOV/MOH	MOUSE 0 QUAD
MIY/MIH	MOUSE 1 QUAD
OVI	OVERLAY ROM
OVR	OVERRIDE SYS
PIXELSW	OPENLOCK PIXEL
POTX/YOY	POT LINES 0 X
POTX/YIY	POT LINES 1 X
POUT	PAPER OUT (PA
PPDI[7:0]	PARALLEL PORT
ROMEN	ROM ENABLE (O
REGEN	CHIP REGISTER
RASO/I	ROW ADDRESS S
RDY	DRIVE READY
RESET	GENERAL RESET
RGA[8:1]	REGISTER ADD
R/G/B	RED / GREEN /
RI	RING INDICATE
ROMEN	ROM ENABLE (R
RIS	REQUEST TO SE
RST	PROCESSOR RES
RXD	RECEIVE DATA
RW	PROCESSOR REA
SEL	SELECT (PARAL
SEL[3:0]	DRIVE SELECT
SIDE	SIDE SELECT
STEP	STEP IN/OUT C
TRKO	TRACK ZERO SE
TXD	TRANSMIT DATA
VMA	VALID MEMORY
VPA	VALID PERIPHE
VSYNC	VERTICAL SYNC
WE	WRITE ENABLE
WPDI	WRITE PROTECT
XCLK	EXTERNAL GENL
XCLKEN	EXTERNAL CLOC
XRDY	EXTERNAL DATA
	** CREDIT CAR

REVISION HISTORY

CONNECTORS

REF	TYPE	DESCRIPTION	PAGE
11	DB9P	MOUSE/JOYSTICK 1	5
12	DB9P	MOUSE/JOYSTICK 2	5
13	RCA-J	RIGHT AUDIO OUTPUT	5
14	RCA-J	LEFT AUDIO OUTPUT	5
15	DB25S	EXTERNAL FLOPPY	8
16	DB25P	RS232 SERIAL PORT	7
17	DB25S	PARALLEL PRINTER PORT	7
18	50 DIN	POWER SUPPLY CONNCT OR 13	
19	DB23P	VIDEO OUTPUT	6
110	RCA-J	COMPOSITE VIDEO	4
111	DIL-34	INTERNAL FLOPPY SIGNAL	8
112	SIL-4	INTERNAL FLOPPY POWER	8
113	MEM-30	KEYBOARD MEMBRANE	9
114	SIL-4	INTERNAL FLOPPY POWER	8
113	MEM-30	KEYBOARD MEMBRANE	9
114	SIL-4	KEYBOARD STATUS LED'S	9
115	PCMCIA	PC "MEMORY CARD"	11
	EDGE-DR	MEMORY BUS EXPANSTION	12

REV	DESCRIPTION	DATE	APRVL	MANAGER
0	ENGINEERING PROTOTYPE	03/13/92	GRR	
1	ADVANCE ENGINEERING RELEASE	06/29/92	GRR	
A	PRODUCTION RELEASE PER ECO 930214	6-11-93	ESL	
B	REVISED PER ECO 930352	12/23/93	N/A	
C	REVISED PER ECO 940028	2/1/94	N/A	

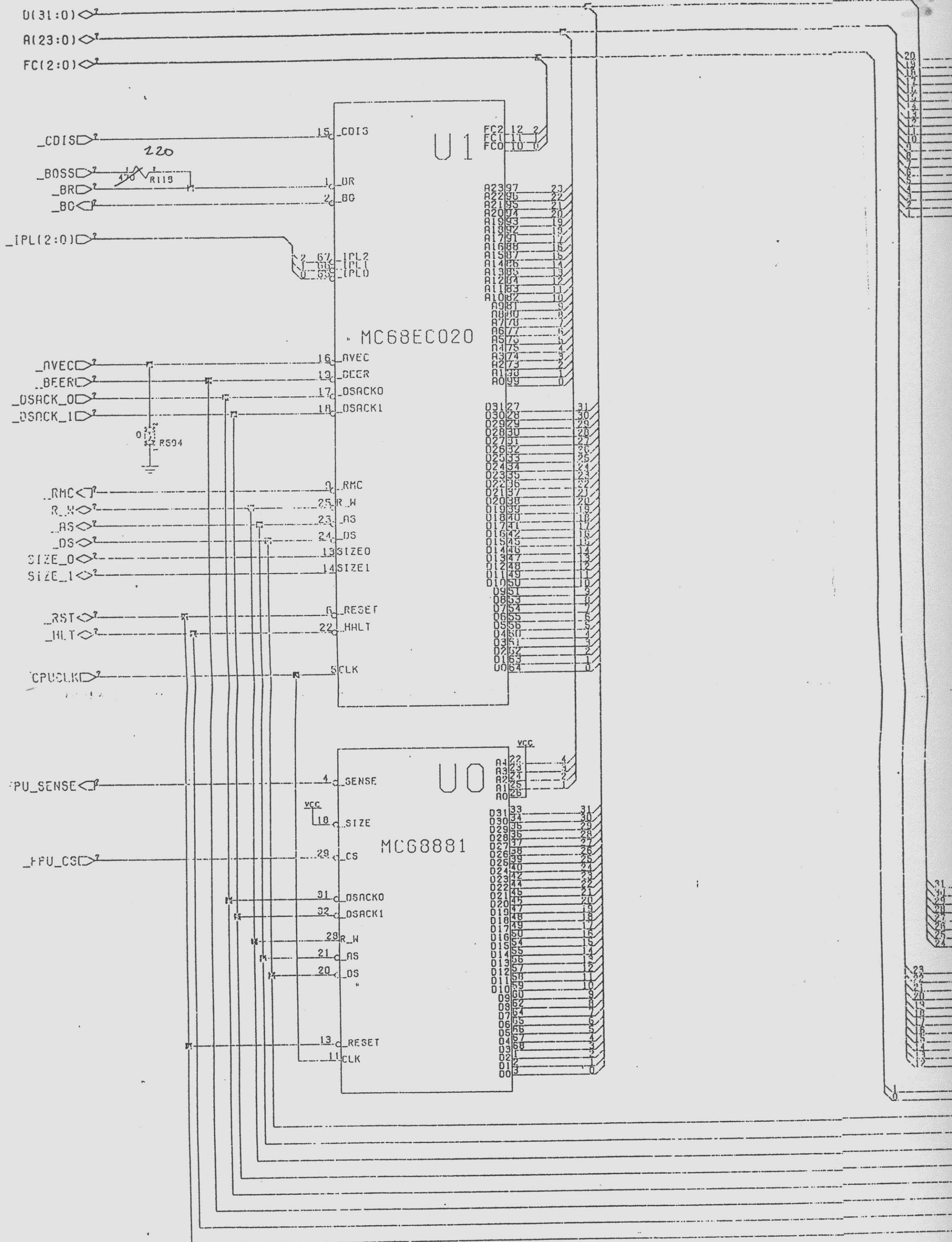
SIGNAL	DESCRIPTION (AREA)	PAGES
LEN	LIGHT PEN TRIGGER (JOYSTICKS)	
R	MOTOR ON (FLOPPY)	
RO	MOTOR ON - DRIVE 0 (FLOPPY)	
V/MOH	MOUSE 0 QUADRATURE V/H (JOYSTICKS)	
V/MIH	MOUSE 1 QUADRATURE V/H (JOYSTICKS)	
L	OVERLAY ROM OVER RAM	
R	OVERRIDE SYSTEM DECODING	
XELSW	GENLOCK PIXEL SWITCH (VIDEO)	
TOX/YO	POT LINES 0 X/Y (JOYSTICKS)	
TLX/YI	POT LINES 1 X/Y (JOYSTICKS)	
UT	PAPER OUT (PARALLEL PORT)	
D[7:0]	PARALLEL PORT DATA (PARALLEL PORT)	
MEN	RAM ENABLE (CHIPS)	
GEN	CHIP REGISTER ENABLE (CHIPS)	
SO/J	ROW ADDRESS STROBE (DRAM)	
Y	DRIVE READY (FLOPPY)	
SET	GENERAL RESET	
A[0:1]	REGISTER ADDRESS BUS (CHIPS)	
G/B	RED / GREEN / BLUE (VIDEO)	
	RING INDICATE (RS232 PORT)	
MEN	ROM ENABLE (ROM)	
S	REQUEST TO SEND (RS232 PORT)	
T	PROCESSOR RESET (68000)	
D	RECEIVE DATA (RS232 PORT)	
	PROCESSOR READ/WRITE (68000)	
L	SELECT (PARALLEL PORT)	
L[3:0]	DRIVE SELECT (FLOPPY)	
DE	SIDE SELECT (FLOPPY)	
EP	STEP IN/OUT COMMAND (FLOPPY)	
KO	TRACK ZERO SENSE (FLOPPY)	
D	TRANSMIT DATA (RS232 PORT)	
A	VALID MEMORY ADDRESS (68000)	
A	VALID PERIPHERAL ADDRESS (68000)	
YNC	VERTICAL SYNC (VIDEO)	
	WRITE ENABLE (DRAM)	
MOI	WRITE PROTECT SENSE (FLOPPY)	
LK	EXTERNAL GENLOCK CLOCK (VIDEO)	
LKEN	EXTERNAL CLOCK ENABLE (VIDEO)	
DY	EXTERNAL DATA READY	
	*** CREDIT CARD AND I/OE STUFF? ***	

KEY COMPONENTS

REF	CHIP	DESCRIPTION	PAGE
U1	68EC020	68EC020 UP/16MHZ	2
U2	8374	ALICE (AA AGNUS)	2
U3	8364	PAULA	5
U4	4203	LISA (AA DENISE)	4
U5	F0022X	AA GAYLE (C8H ASIC)	2,8,11
U6A-B	ASST	ROM 512KX16, 150 NS	10
U7-8	8520	AMIGA VIA, 1 MHZ	7
U10-11	28F400	4MBIT FLASH MEMORY	10
U12	CXA1145	SONY VIDEO ENCODER	4
U13	6570-38	AMIGA KEYBOARD MPU	9
U14	NE555	RESET TIMER	9
U15	LF347	BIMOS OP-AMP	5
	TLO84	BICMOS OP-AMP	ALT
U16-17	ASST	DRAM 512KX8, 80NS	3
U18-19	ASST	DRAM 512KX8, OPTIONAL	3
U20	391???	BRIDGETTE (NCR ASIC)	2
U28	1488	EIA LINE DRIVER	7
U29	1489	EIA LINE RECEIVER	7
U30	BT101	TRIPLE 8-BIT VIDEO DAC	4
X1	OSC	TTL 28.63636 MHZ NTSC	2
	OSC	TTL 28.37512 MHZ PAL	ALT
Y451	XTAL	4.433619MHZ PAL BURST	4
Y621	XTAL	3MHZ CERAMIC RESONATOR	9
X2	UD3626	PAL VIDEO MODULATOR	4
	VA3424	NTSC VIDEO MODULATOR	4

© 1992 COMPTON BUSINESS MACHINES CORPORATION. ALL RIGHTS RESERVED. REPRODUCTION OR DISCLOSURE OF THIS INFORMATION WITHOUT THE PRIOR WRITTEN PERMISSION OF COMPTON IS STRICTLY PROHIBITED.

DIRECTORIES AND REVISION HISTORY
 36513



CHANNEL Z 04/19/92

A1200 REV 2 PCB

NOTE: VARIOUS COMPONENTS ARE FOR EMI COMPLIANCE AND MAY BE LOADED WITH FUSES THROUGHOUT

8374 ALICE NMD5

U2

8374 ALICE NMD5

OR015 83 31
OR014 84 30
OR013 85 29
OR012 86 28
OR011 87 27
OR010 88 26
OR009 89 25
OR008 90 24
OR007 91 23
OR006 92 22
OR005 93 21
OR004 94 20
OR003 95 19
OR002 96 18
OR001 97 17
OR000 98 16

DR09 56
DR08 57
DR07 58
DR06 59
DR05 60
DR04 61
DR03 62
DR02 63
DR01 64
DR00 65

RC08 26
RC07 27
RC06 28
RC05 29
RC04 30
RC03 31
RC02 32
RC01 33

_RNS 57
_CAS 54
_NC 21

_LPEN 78
_HSYNC 81
_VSYNC 79
_CSYNC 80

_NTSC 41
DMAL 18
_INTR 17

SCLK 34
14MHZ 36
7MHZ 38

_CDAC 37
CCK 40
CCKQ 39

_RAMEN 25
_REGEN 23
_BLS 19
_DBR 20

E129
E127 27
E126 100
E128 27
E123 27
E125 27

_RAMEN 25
_REGEN 23
_BLS 19
_DBR 20
_OEB 28

E114 68

CCK 29
C11H 22

_SENSE 64
_FPU_CS 65

_RTC_CS 17
_NET_CS 16
_SPARE_CS 15

_EVEN_CIA 74
_ODD_CIA 73
E 10

_KBRESET 53
_OVR 26
_XR0Y 25

_ZORRO 39

VCC
470Ω
XR59

DR015:0
DR014:1
DR013:2
DR012:3
DR011:4
DR010:5
DR009:6
DR008:7
DR007:8
DR006:9
DR005:10
DR004:11
DR003:12
DR002:13
DR001:14
DR000:15

_RAS
_CAS
_DWE

_FIRE1
_HSYNC
_VSYNC
_CSYNC

_DMAL
_INT3

_SCLK
_14MHZ
_7MHZ

_CDAC
_ICCK
_CCKQ

_CCK_N
_CCKQ_A

_REMOVE E123C and E125C

_RAMEN
_REGEN
_BLS
_DBR
_OEB

_CPUCLK

_FPU_SENSE
_FPU_CS

_RTC_CS
_NET_CS
_SPARE_CS

_EVEN_CIA
_ODD_CIA

_KB_RESET
_OVR
_XR0Y

_ZORRO

22 R_H
16 RESET

25 RAMEN
23 REGEN
19 BLS
20 DBR

27 E123
27 E125

25 RAMEN
23 REGEN
19 BLS
20 DBR
28 OEB

68 E114

29 CCK
22 C11H

64 SENSE
65 FPU_CS

17 RTC_CS
16 NET_CS
15 SPARE_CS

74 EVEN_CIA
73 ODD_CIA
10 E

53 KBRESET
26 OVR
25 XR0Y

39 ZORRO

35 OSACK1
37 OSACK0
82 BCTR

39 HLT
40 RST

U5
AA_GAYLE
4145F023A

CMD5

CONTROL FUNCTIONS

R113
R115
R114
R117
R116

PROCESSOR AND OTHER USEFUL COMPONENT

© 1991 COMMOORE BUSINESS MACHINES
 INFORMATION CONTAINED HEREIN IS THE PROPRIETARY
 CONFIDENTIAL, AND TRADE SECRET PROPERTY OF
 COMMOORE BUSINESS MACHINES, INC. ANY USE,
 REPRODUCTION OR DISCLOSURE OF THIS INFORMATION
 WITHOUT THE PRIOR WRITTEN PERMISSION OF
 COMMOORE IS STRICTLY PROHIBITED.

C.A.D. GENERATED
 NO MANUAL CHANGES MAY BE MADE TO THIS DOCUMENT

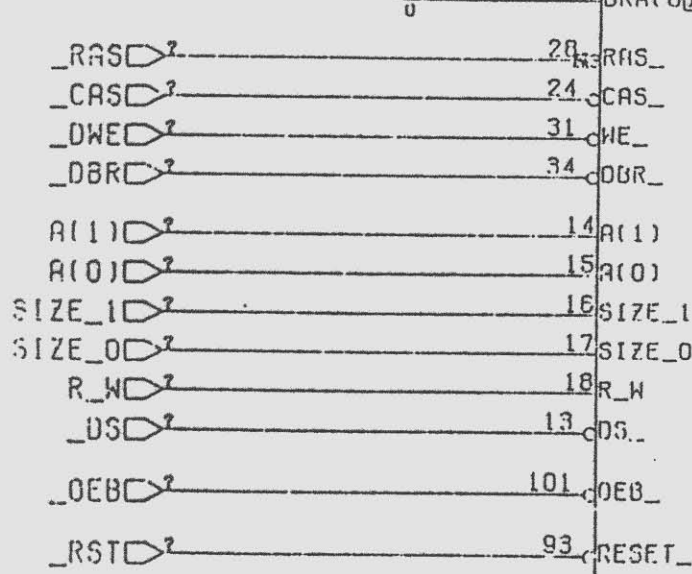
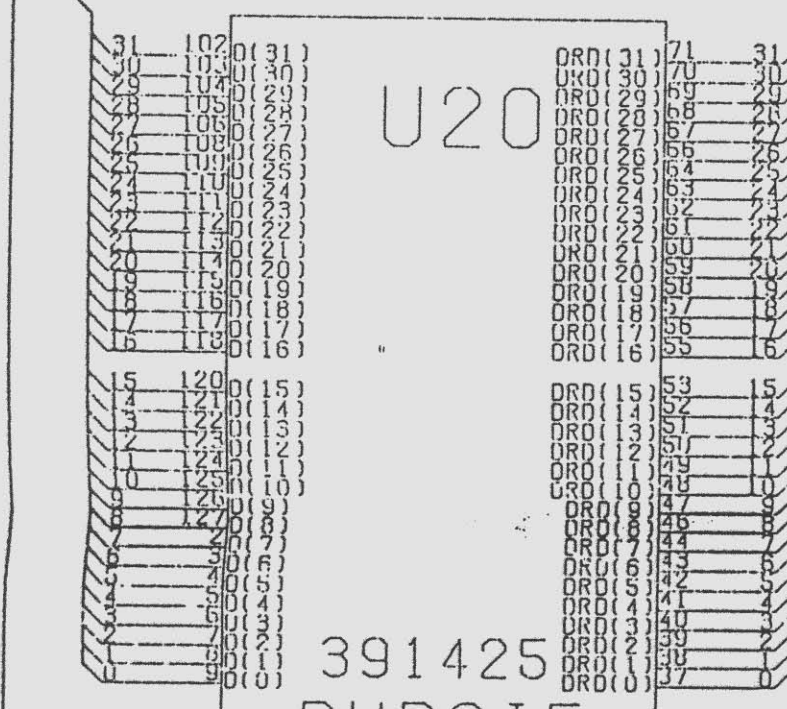
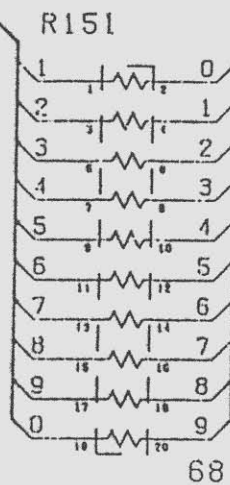
DATE	04/11/91
BY	...
REV	...
APP	...
CHK	...
DATE	04/11/91
BY	...
REV	...
APP	...
CHK	...

COMMOORE
 SCHEMATIC A1200 U2
 C/R1200 MAIN BOARD
 CHANNEL 2
 365133

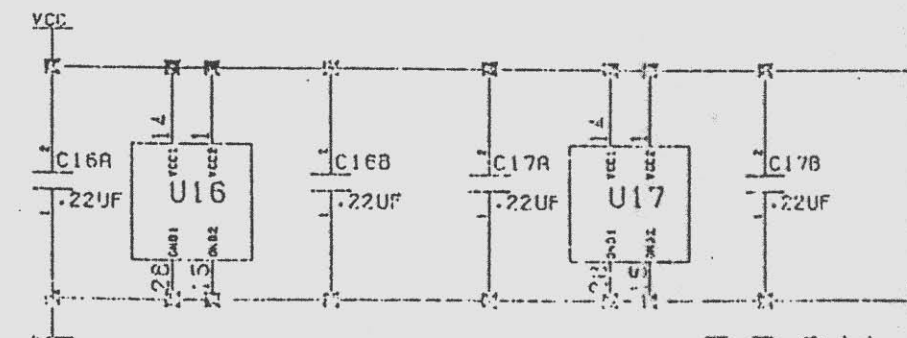
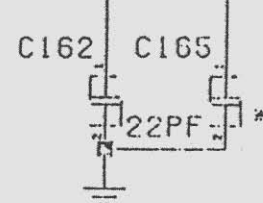
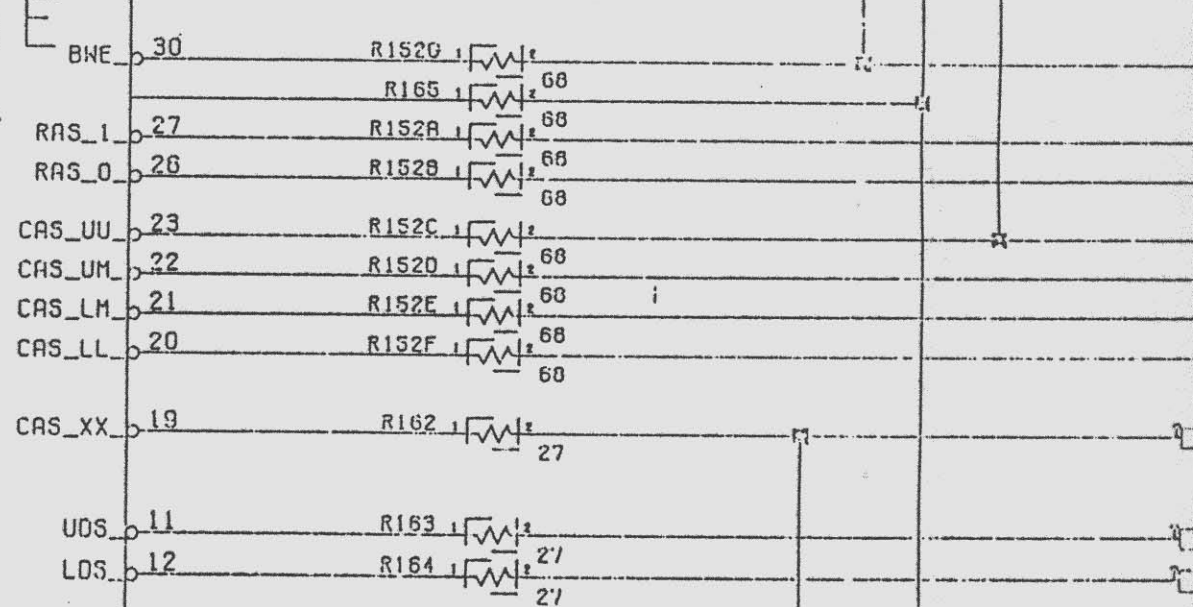
DRD(31:0)

DRA(3:0)

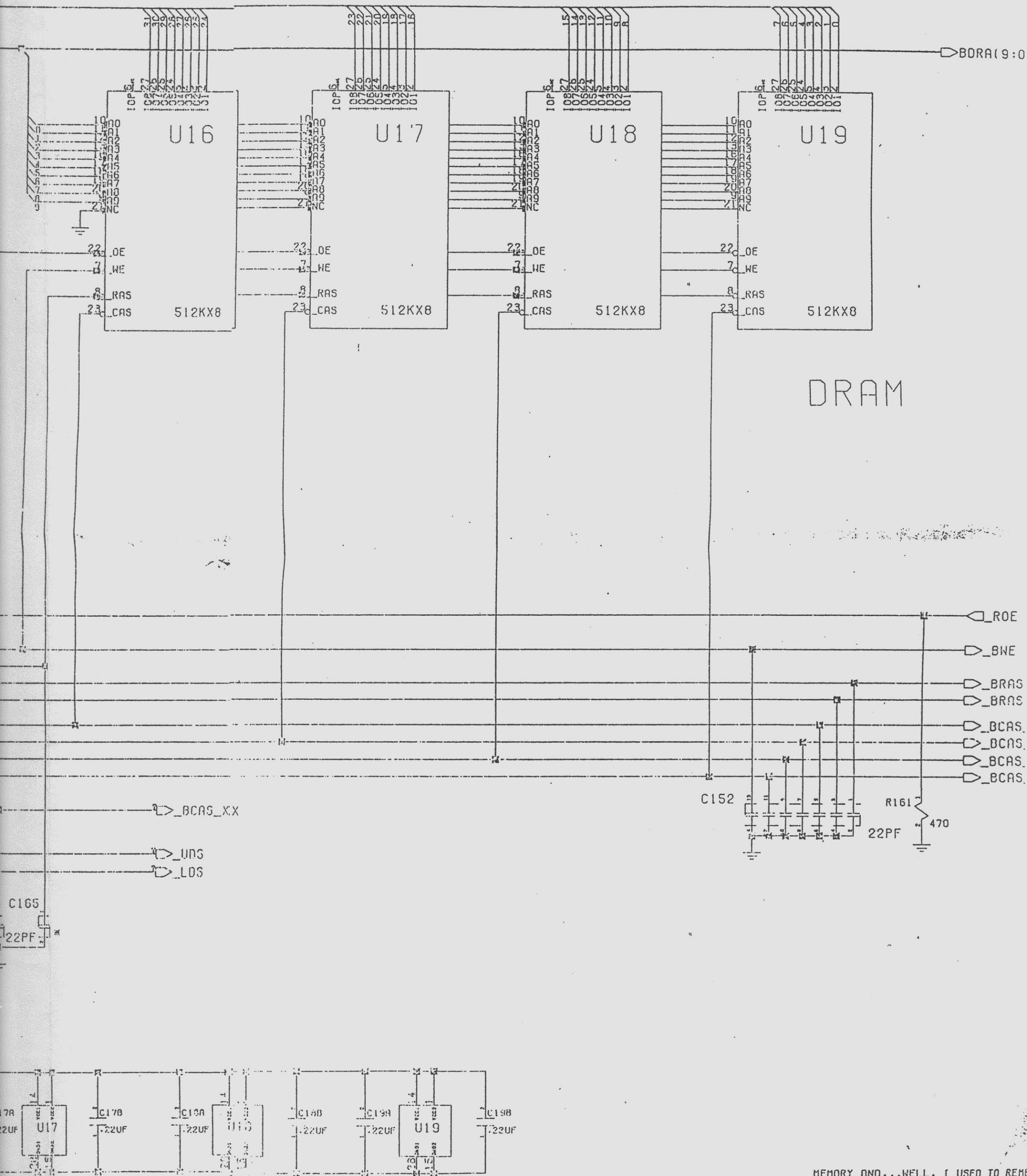
D(31:0)



391425
BUDGIE
CMOS



REV 3



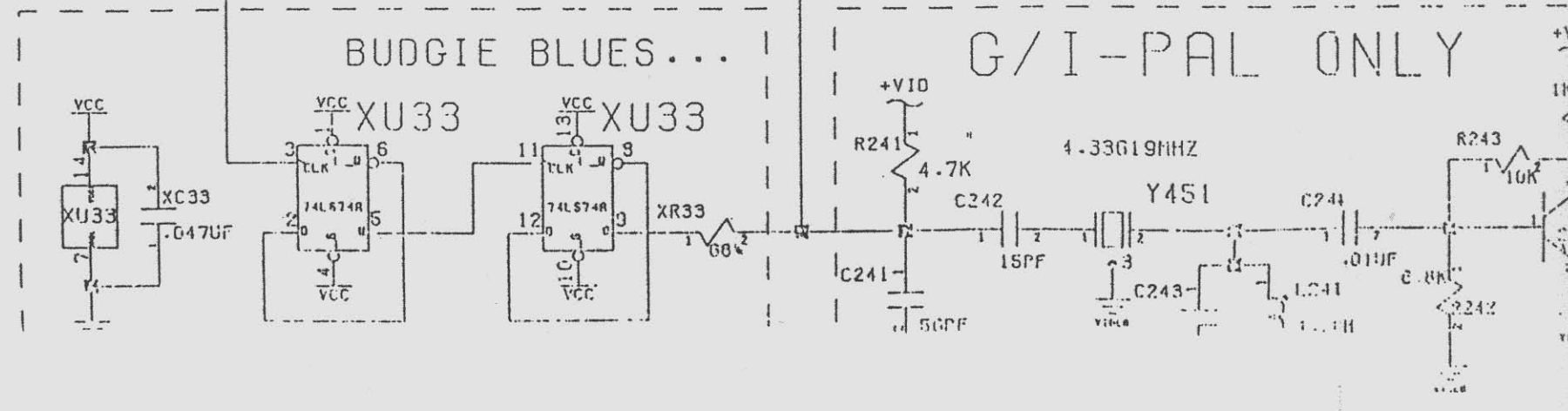
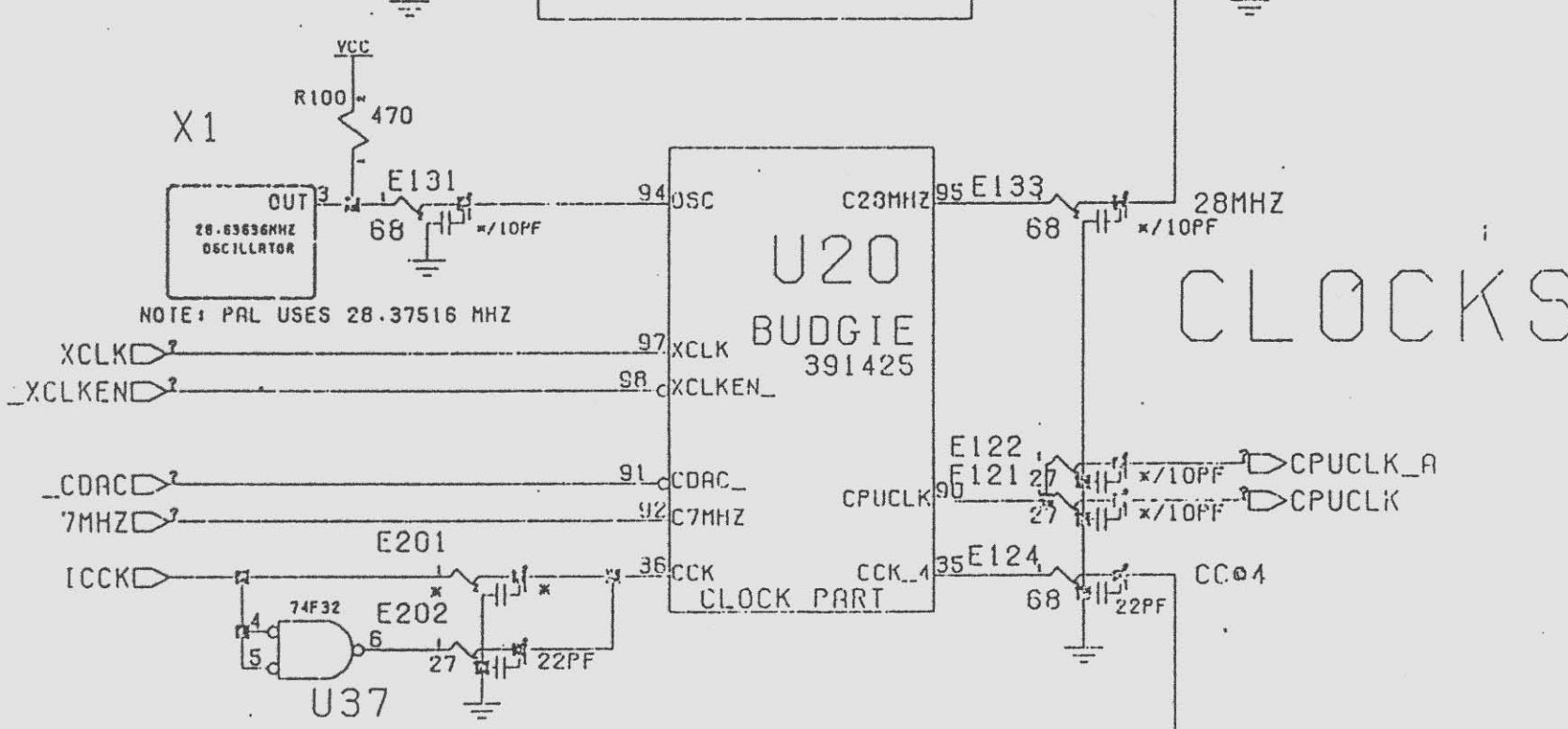
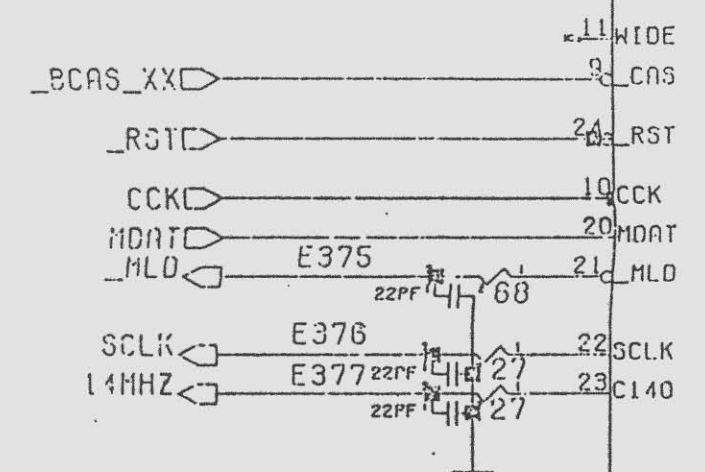
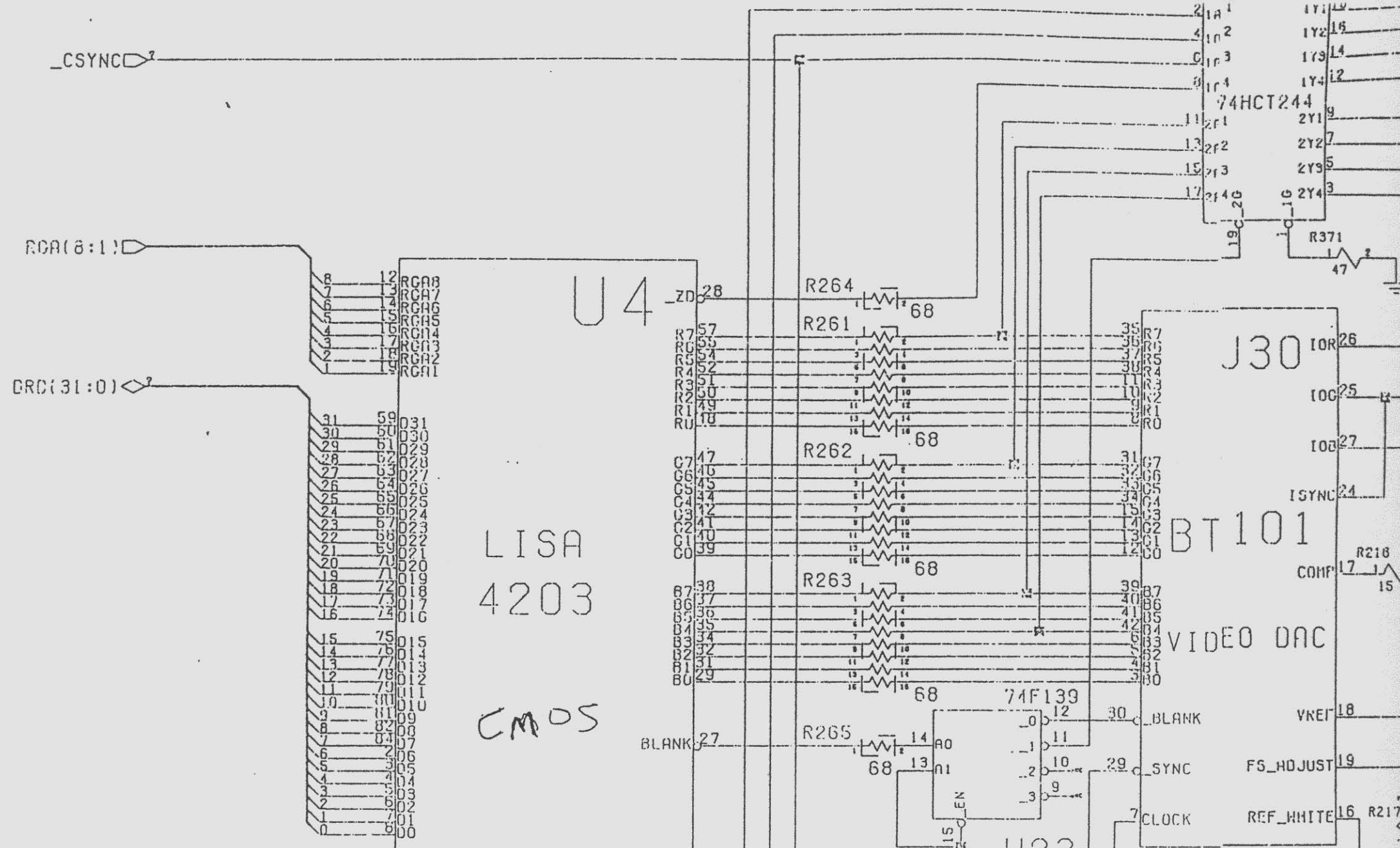
DRAM DECOUPLING

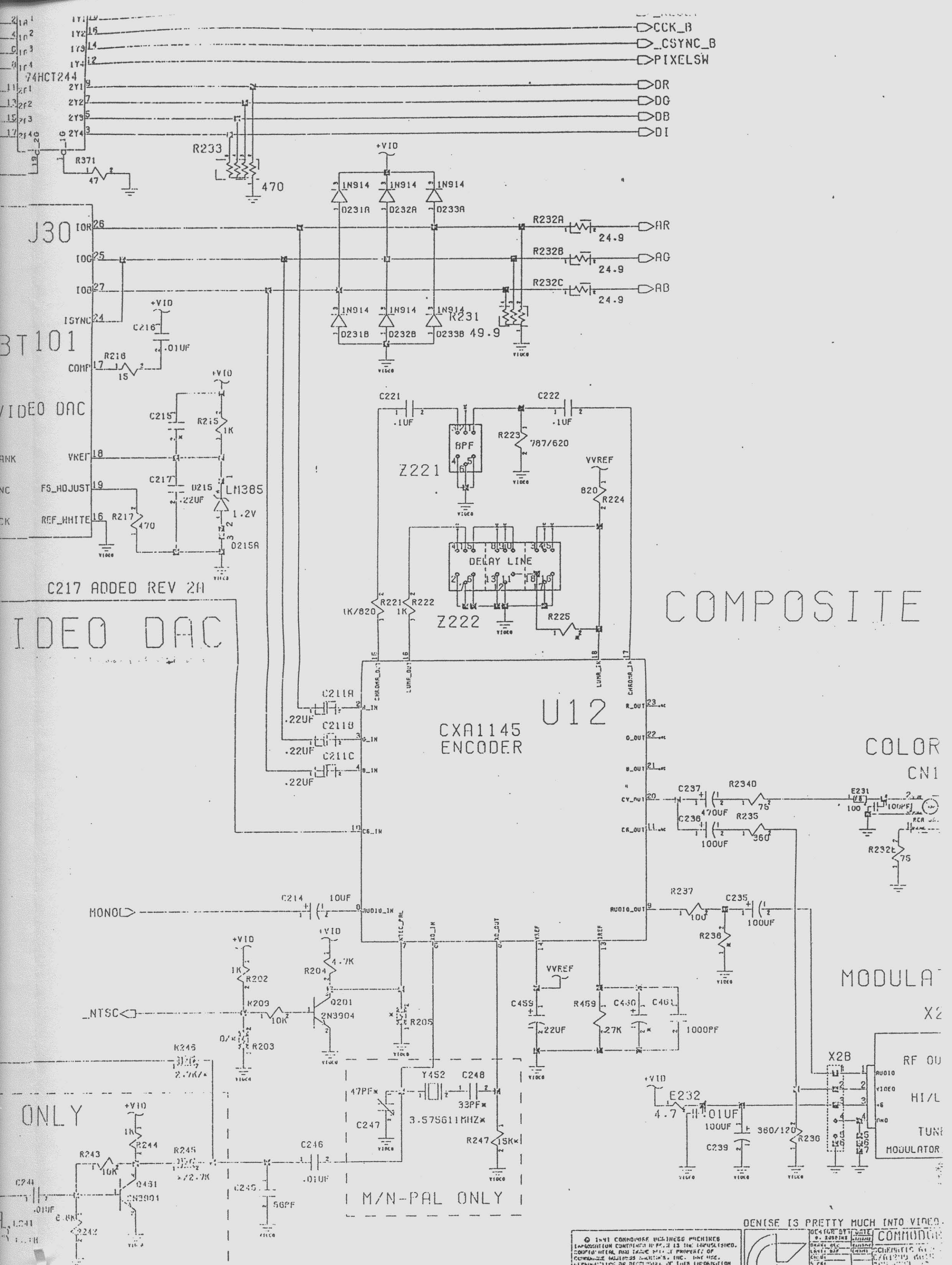
MEMORY AND...WELL, I USED TO REM...

© 1991 ENHANCED BUSINESS MACHINES
 INFORMATION CONTAINED HEREIN IS UNCLASSIFIED
 CONFIDENTIAL AND SHALL REMAIN SO UNLESS
 OTHERWISE INDICATED BY THE U.S. GOVERNMENT
 SCHEMATIC FOR RELEASE OF THIS INFORMATION
 WITHOUT THE PRESENTATION OF A WRITTEN
 REQUEST TO THE NATIONAL ARCHIVES AT COLLEGE PARK, MD 20740

DESIGN BY	DATE
0. APPROVED	
DATE	
REVISION	
NO.	
DATE	
BY	
DATE	
BY	
DATE	

COMMODORE
 SCHEMATIC R1200
 C/R1200 MAIN U
 CHANNEL 7*





NOTE: COMPONENTS DESIGNATED AS EXXX MAY BE LOADED WITH END FILTERS, FERRITE BEADS OR RESISTORS!

© 1991 COMMODORE BUSINESS MACHINES CORPORATION. COMMODORE BUSINESS MACHINES IS THE UNPUBLISHED TRADEMARK OF COMMODORE BUSINESS MACHINES, INC. THE USE, REPRODUCTION OR DISSEMINATION OF THIS INFORMATION WITHOUT THE PRIOR WRITTEN PERMISSION OF COMMODORE IS STRICTLY PROHIBITED.

C.A.D. GENERATED

NO FEDERAL CHANGES MAY BE MADE TO THIS DOCUMENT

DENISE IS PRETTY MUCH INTO VIDEO.

COMMODORE

DATE: 08/19/91

SCALE: 1/8" = 1"

36513

0901

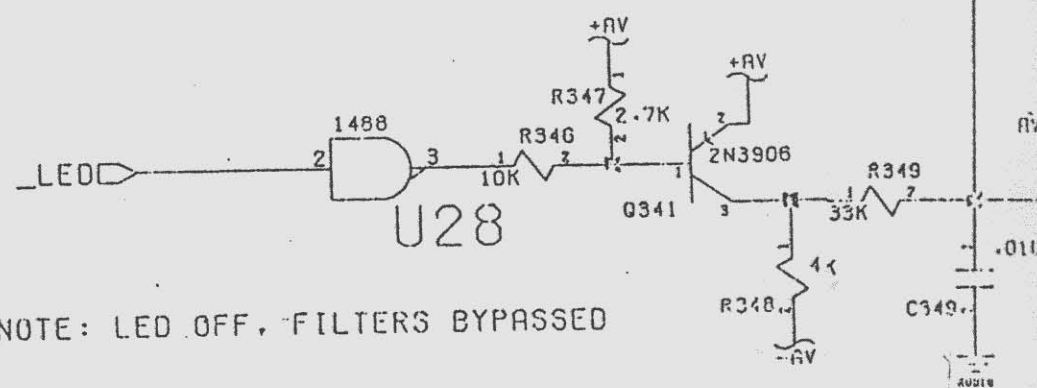
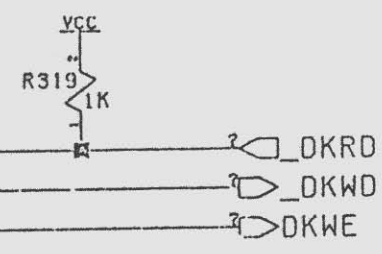
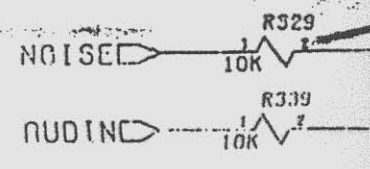
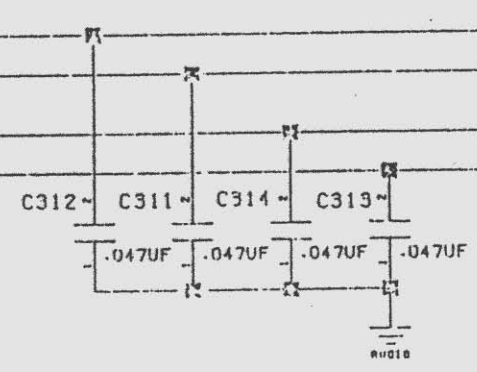
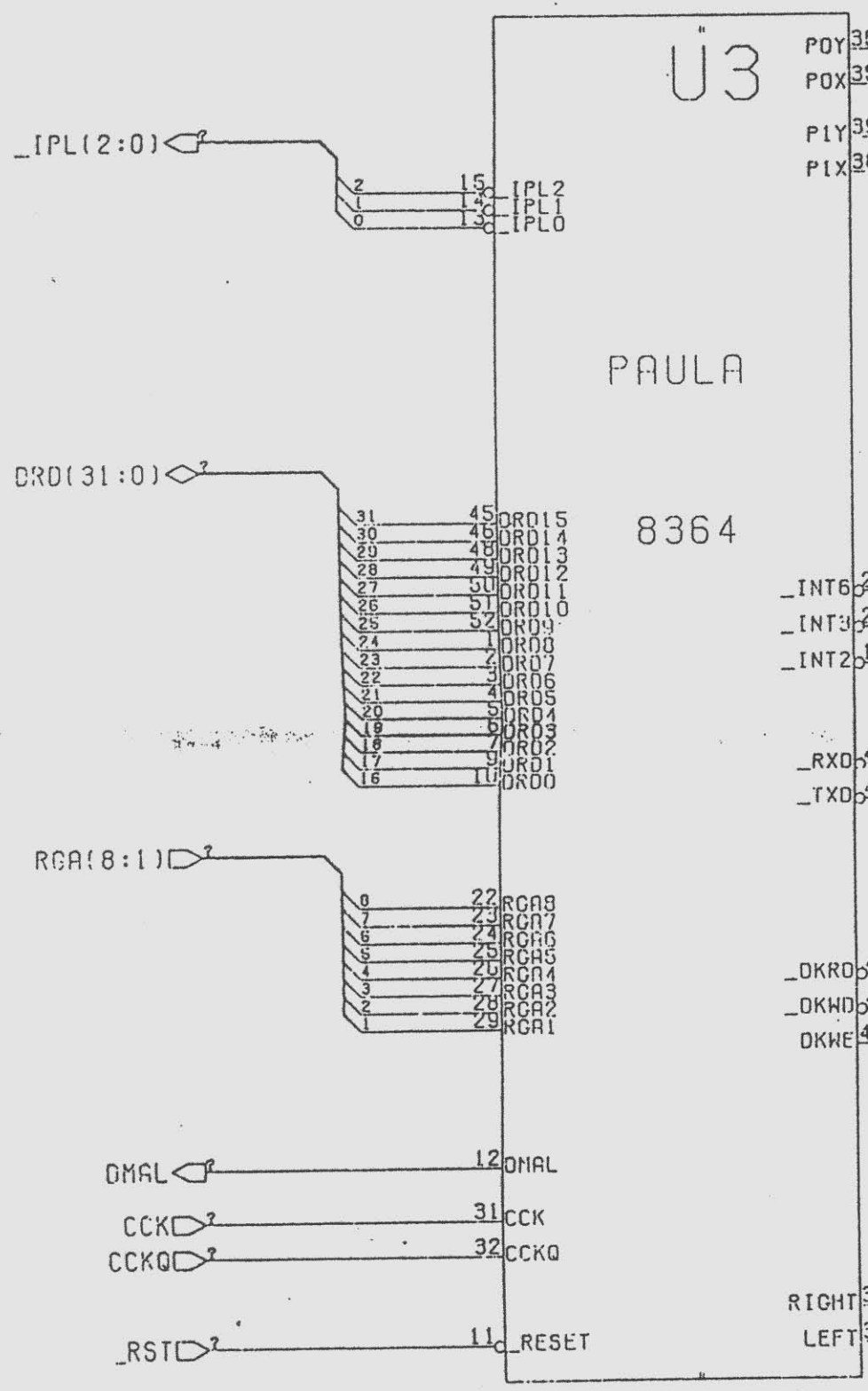
MOUSE

_FIRE0

POTOY
POTOX

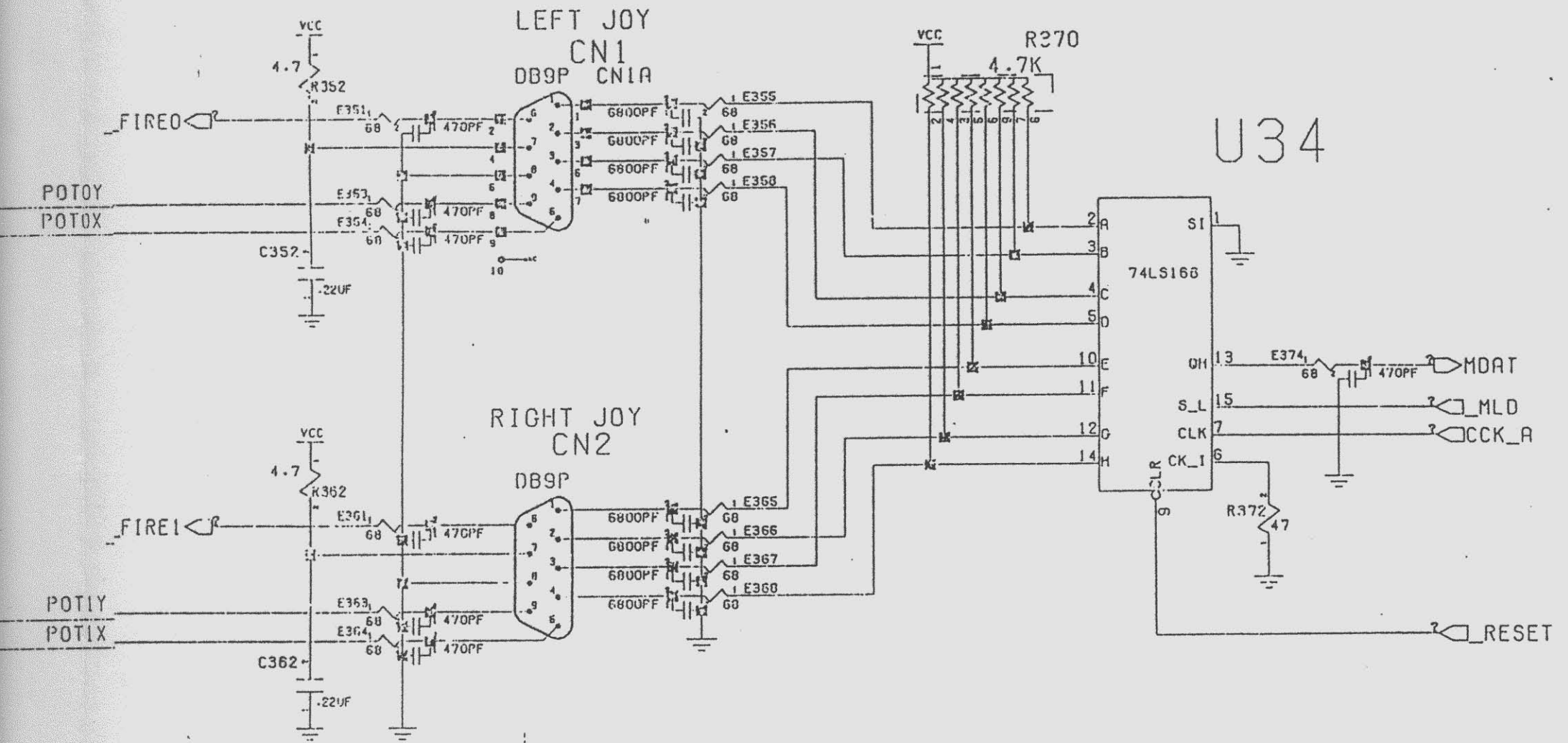
_FIRE1

POT1Y
POT1X

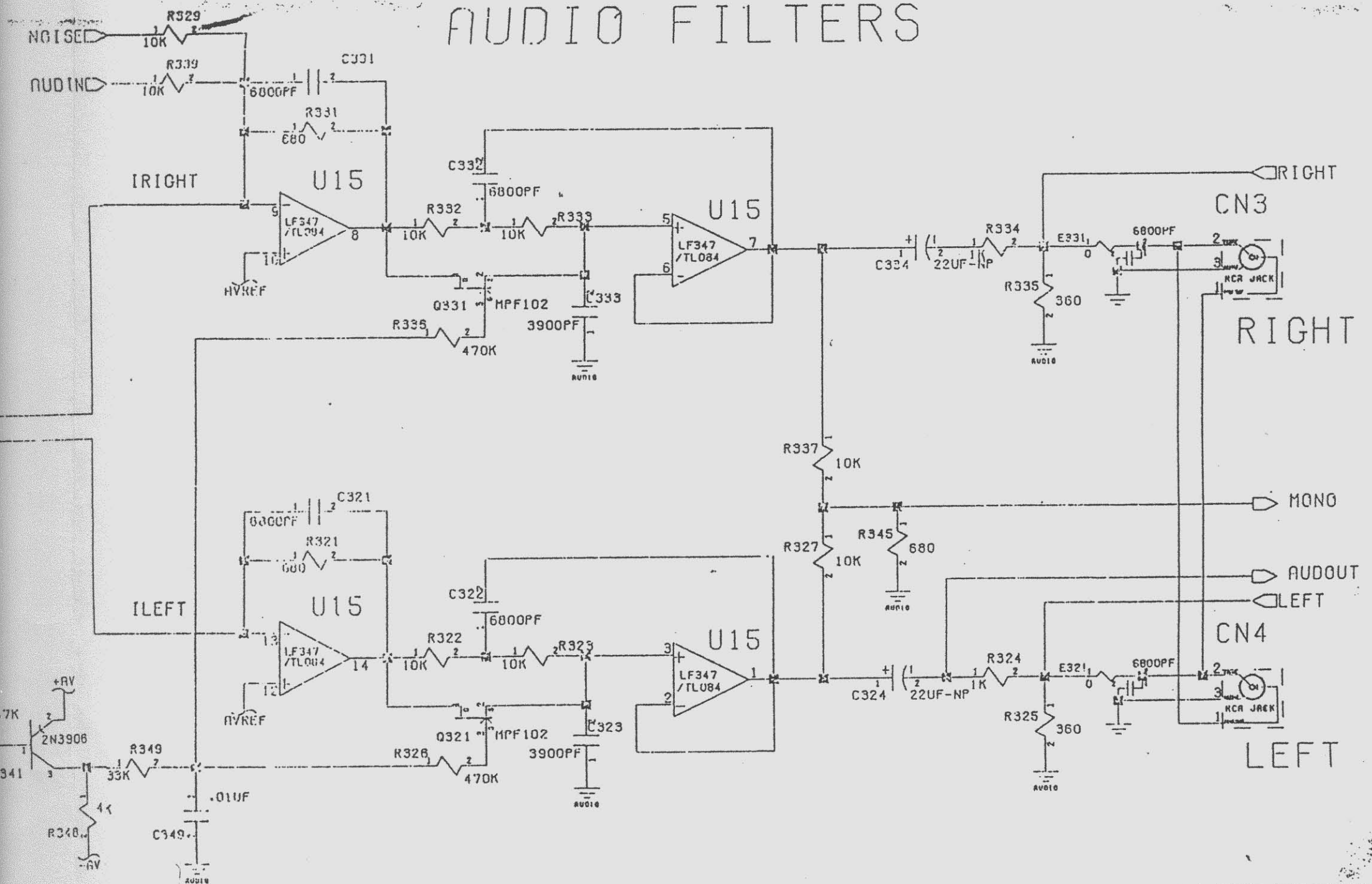


NOTE: LED OFF, FILTERS BYPASSED

MOUSE / JOYSTICK PORTS



AUDIO FILTERS

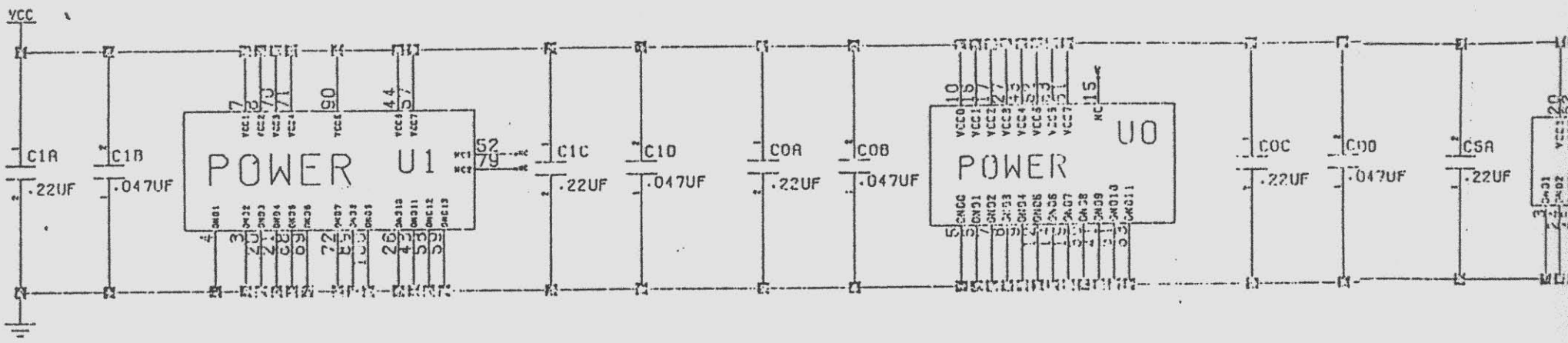


PAULA PREFERS THE TRADITIONAL MODES

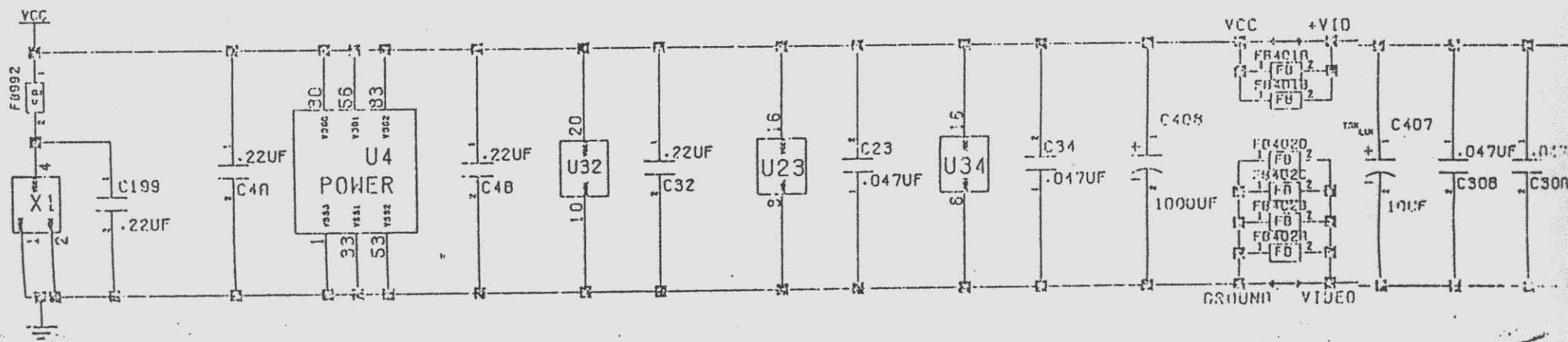
© 1991 COMMODORE BUSINESS MACHINES
 INFORMATION CONTAINED HEREIN IS THE PROPERTY OF
 COMMODORE BUSINESS MACHINES AND IS TO BE
 KEPT CONFIDENTIAL. NO PART OF THIS DOCUMENT
 SHOULD BE REPRODUCED OR TRANSMITTED IN ANY
 FORM OR BY ANY MEANS, ELECTRONIC OR MECHANICAL,
 INCLUDING PHOTOCOPYING, RECORDING, OR BY ANY
 INFORMATION STORAGE AND RETRIEVAL SYSTEM.

DESIGN BY	DATE	REVISION	COMMODORE
DRN	8/12/82	001	SCHEMATIC #1200 R2
CHKD BY			C/A1200 MAIN BOARD
APP'D			"CHANNEL 2"
WORK NO.	866132		365133
C/A1200	866132		SCALE sheet 5 of 13

GENERAL DECOUPLING

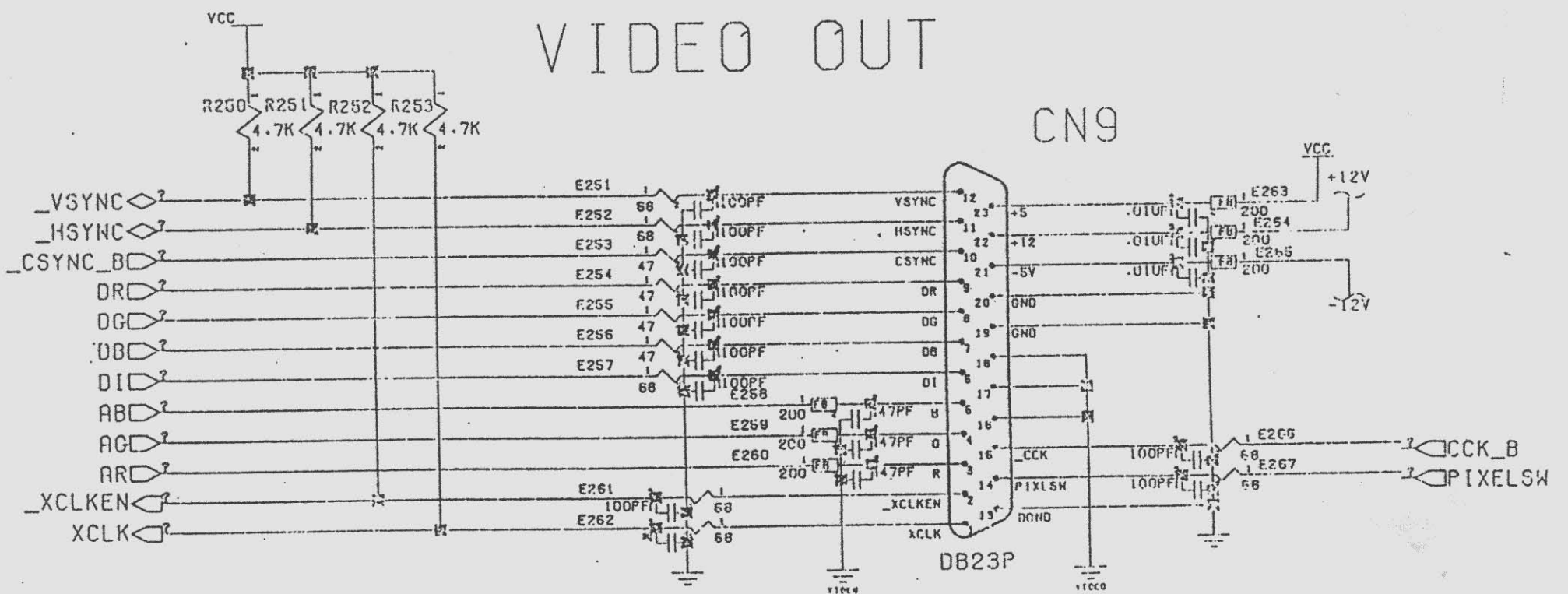


VIDEO DECOUPLING

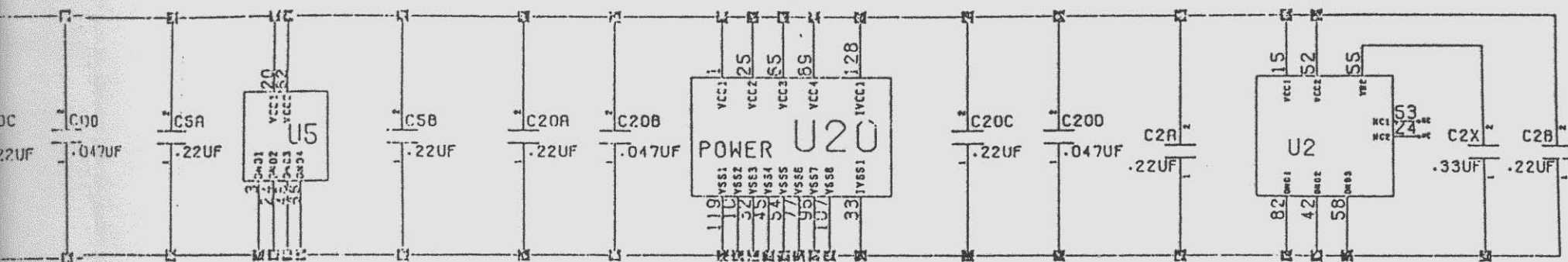


NOTE: COMMON GROUND AT DA

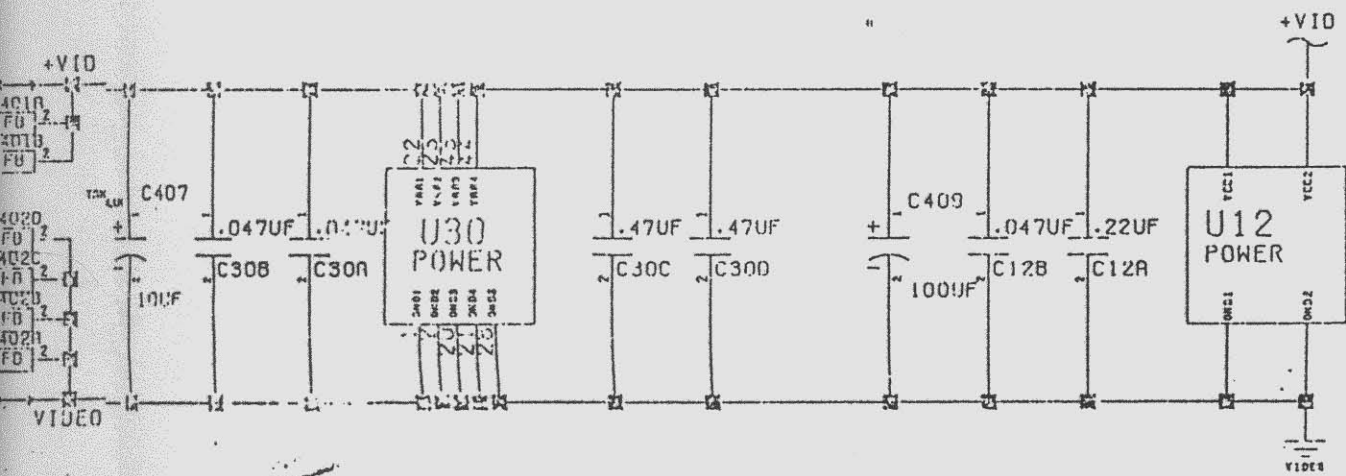
VIDEO OUT



DECOUPLING

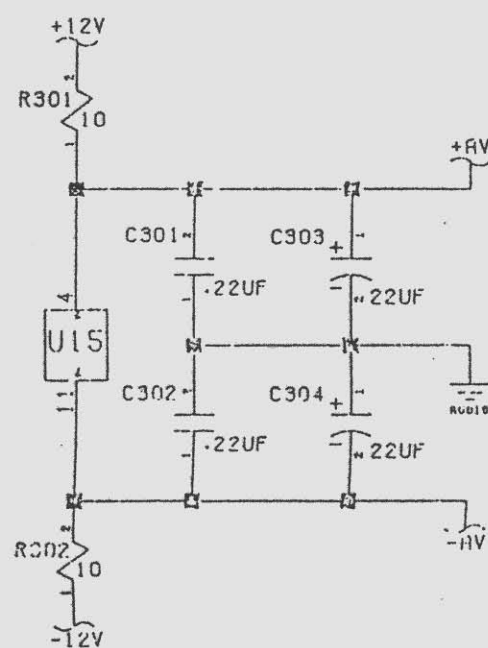


COUPLING

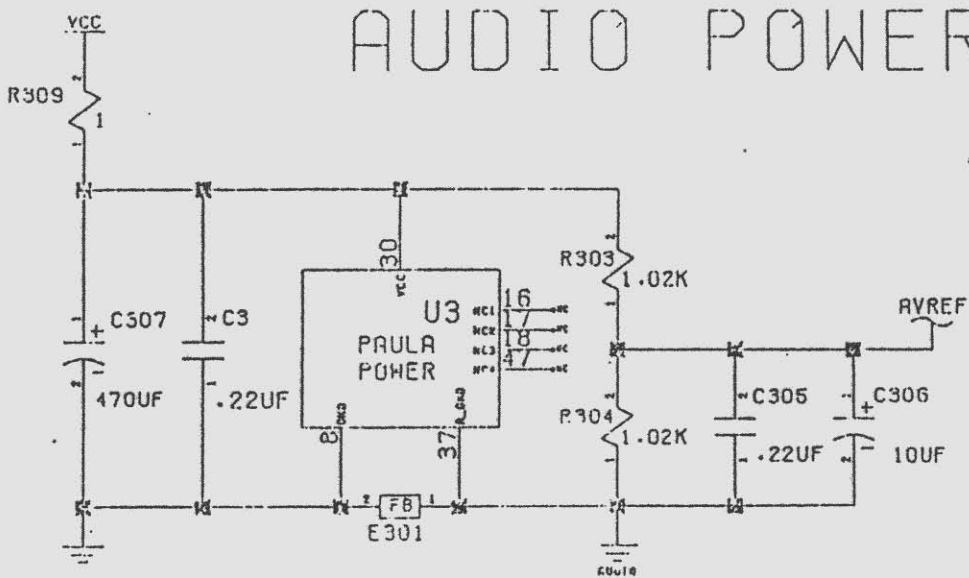


GROUND AT JACK

AUDIO DECOUPLING



AUDIO POWER

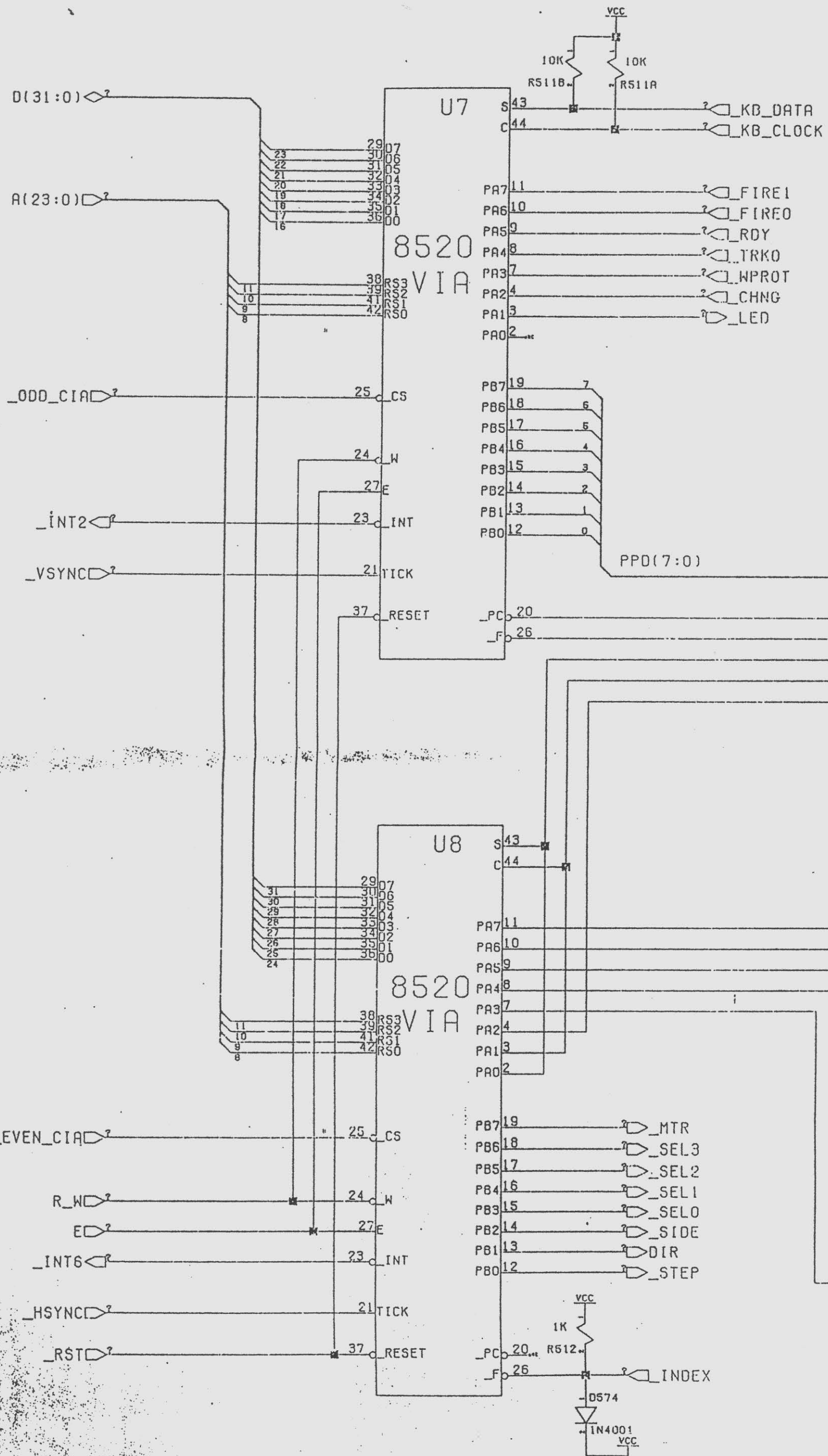


NOTE: COMMON GROUND NEAR JACKS

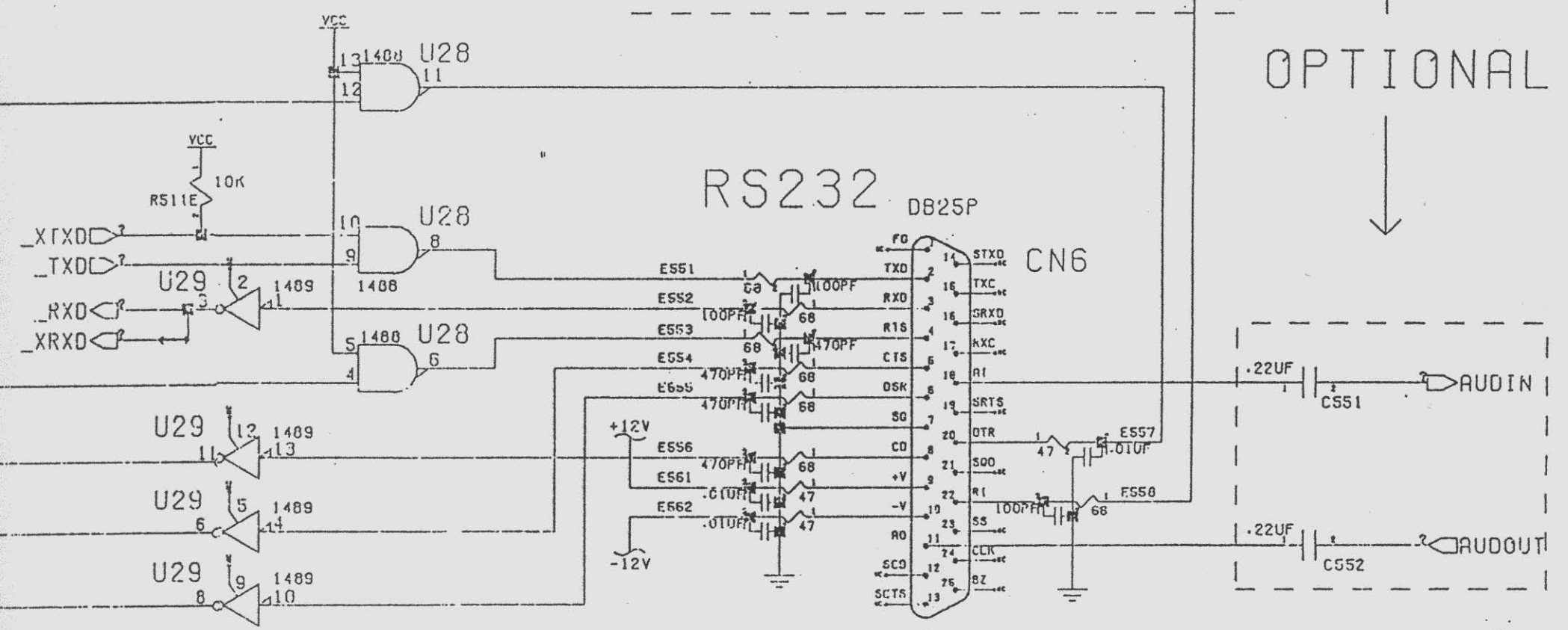
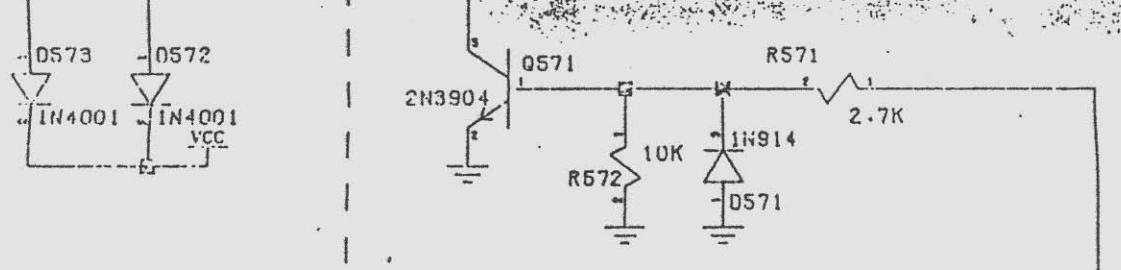
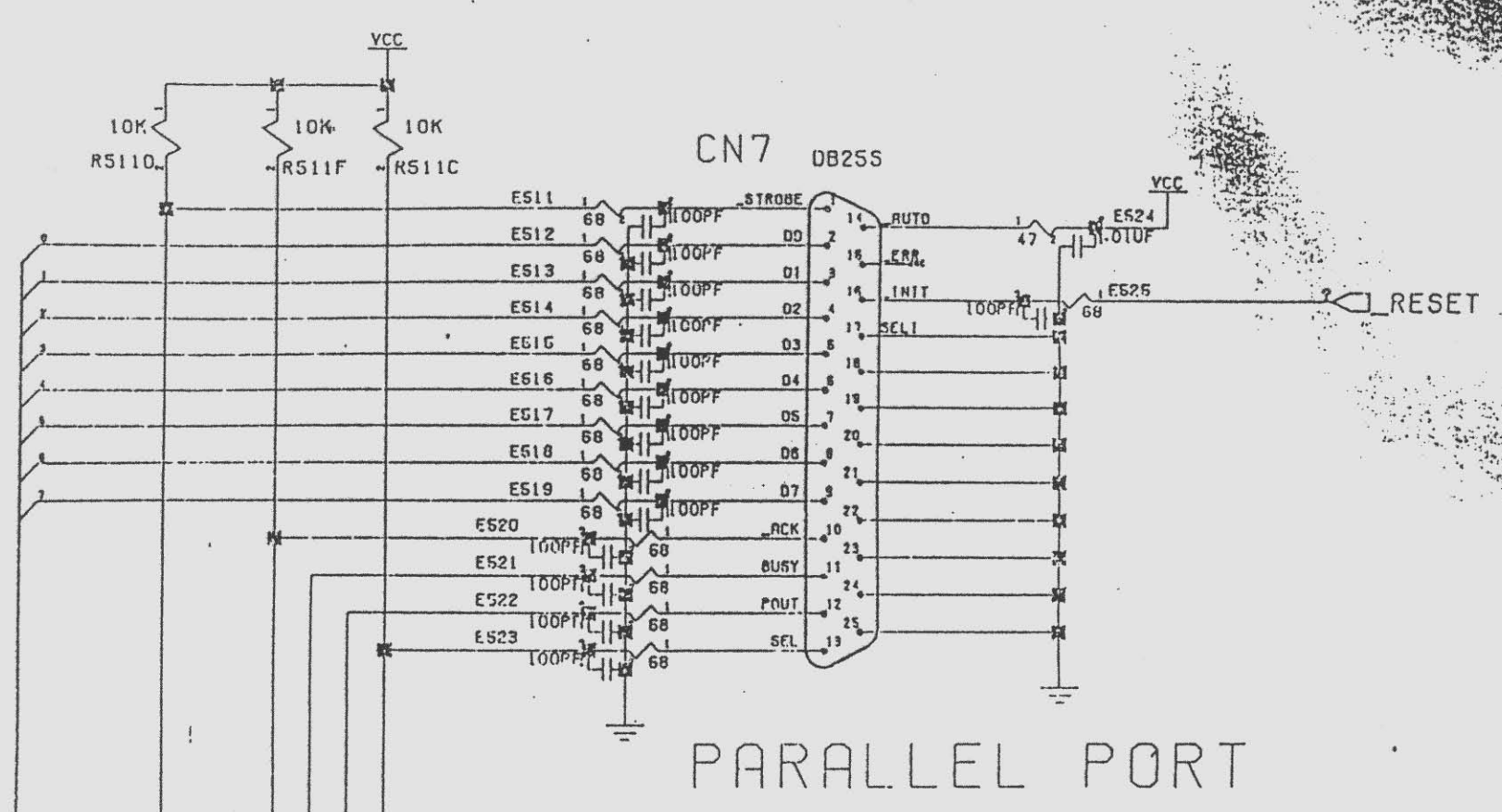
CCCK_B
PIXELSW

PARTY OUT OF BOUNDS, WHAT A MESS...

<p>© 1981 COMMODORE BUSINESS MACHINES INFORMATION CONTAINED HEREIN IS THE UNCLASSIFIED PROPERTY OF COMMODORE BUSINESS MACHINES, INC. ANY USE REPRODUCTION OR DISSEMINATION OF THIS INFORMATION WITHOUT THE PRIOR WRITTEN PERMISSION OF COMMODORE IS STRICTLY PROHIBITED.</p>		<p>DESIGN BY: D. ROBERTS DRAWN BY: G. B. BROWN CHECKED BY: G. B. BROWN USED ON: C/1200 NEXT ASST: 306132</p>	<p>COMMODORE SCHEMATIC #1200 R2 C/1200 MAIN BOARD CHANNEL Z 365193 13</p>
---	--	--	--



REV 00.01



SERIAL AND PARALLEL PORTS

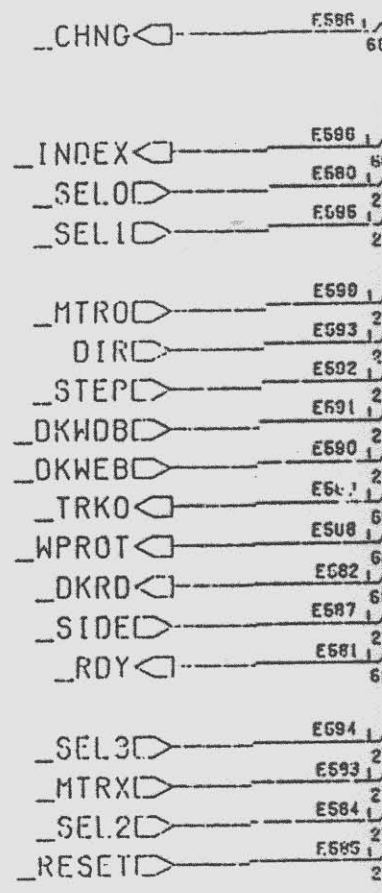
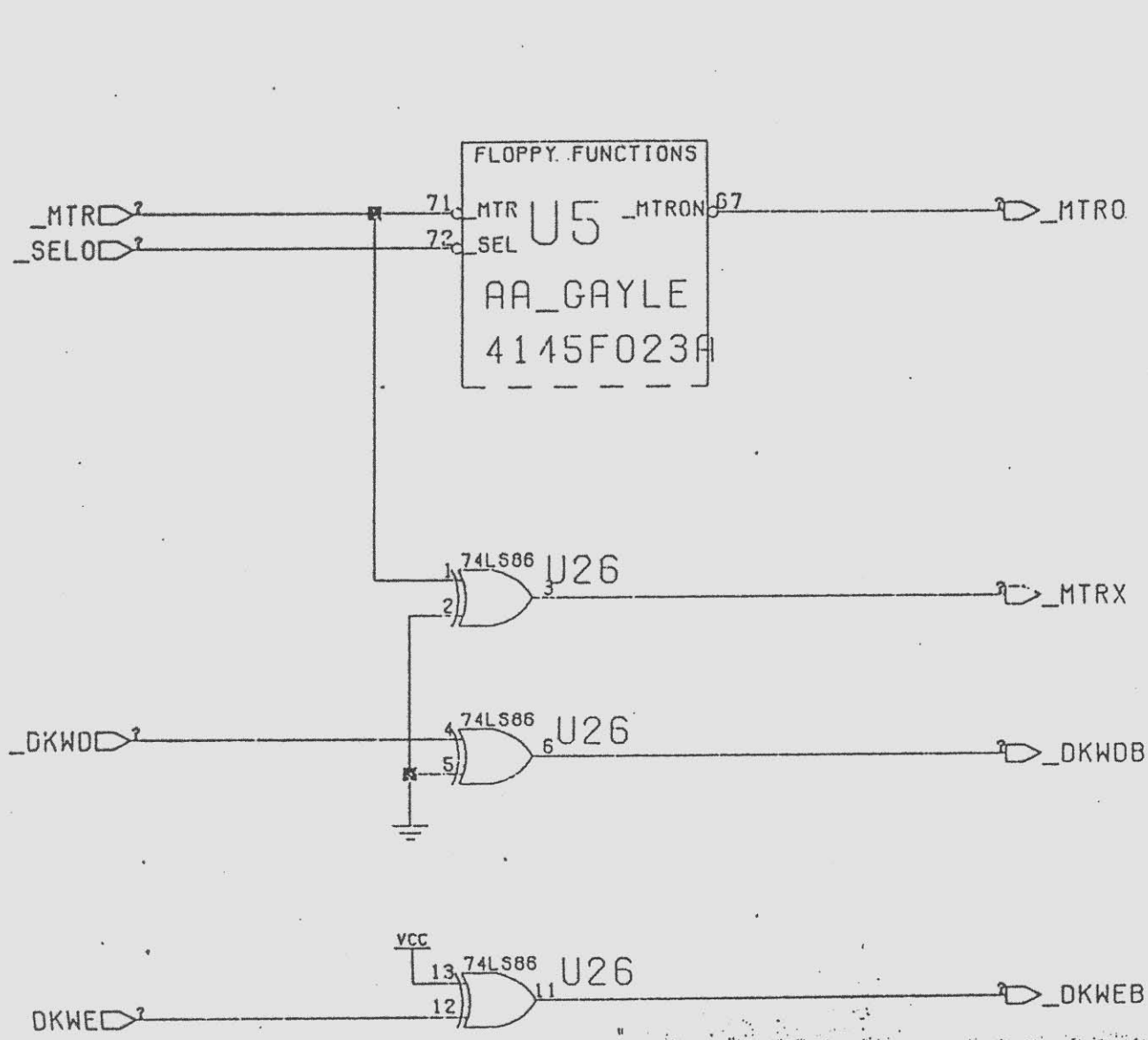
© 1991 COMMODORE BUSINESS MACHINES
 INFORMATION CONTAINED HEREIN IS THE UNPUBLISHED,
 CONFIDENTIAL AND TRADE SECRET PROPERTY OF
 COMMODORE BUSINESS MACHINES, INC. ANY USE,
 REPRODUCTION OR DISCLOSURE OF THIS INFORMATION
 WITHOUT THE PRIOR WRITTEN PERMISSION OF
 COMMODORE IS STRICTLY PROHIBITED.

C.A.O. GENERATED
 NO PARTS LISTINGS MAY BE MADE FROM THIS DOCUMENT

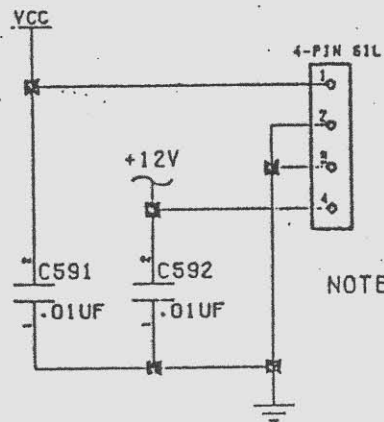
DESIGN BY	DATE	REVISION
DRIVE	02/19/91	001
DATE	02/19/91	001
BY		
CHKD BY	02/21/91	
C/A1200	304192	

COMMODORE
 SCHEMATIC 01200 R2
 C/A1200 MAIN BOARD
 CHANNEL 7
 365193

FLOPPY LOGIC

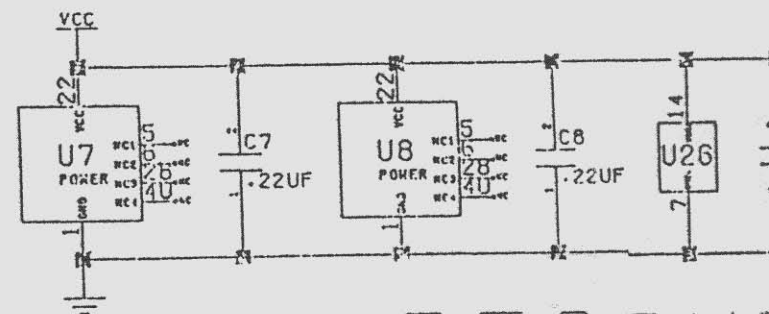


FLOPPY POWER



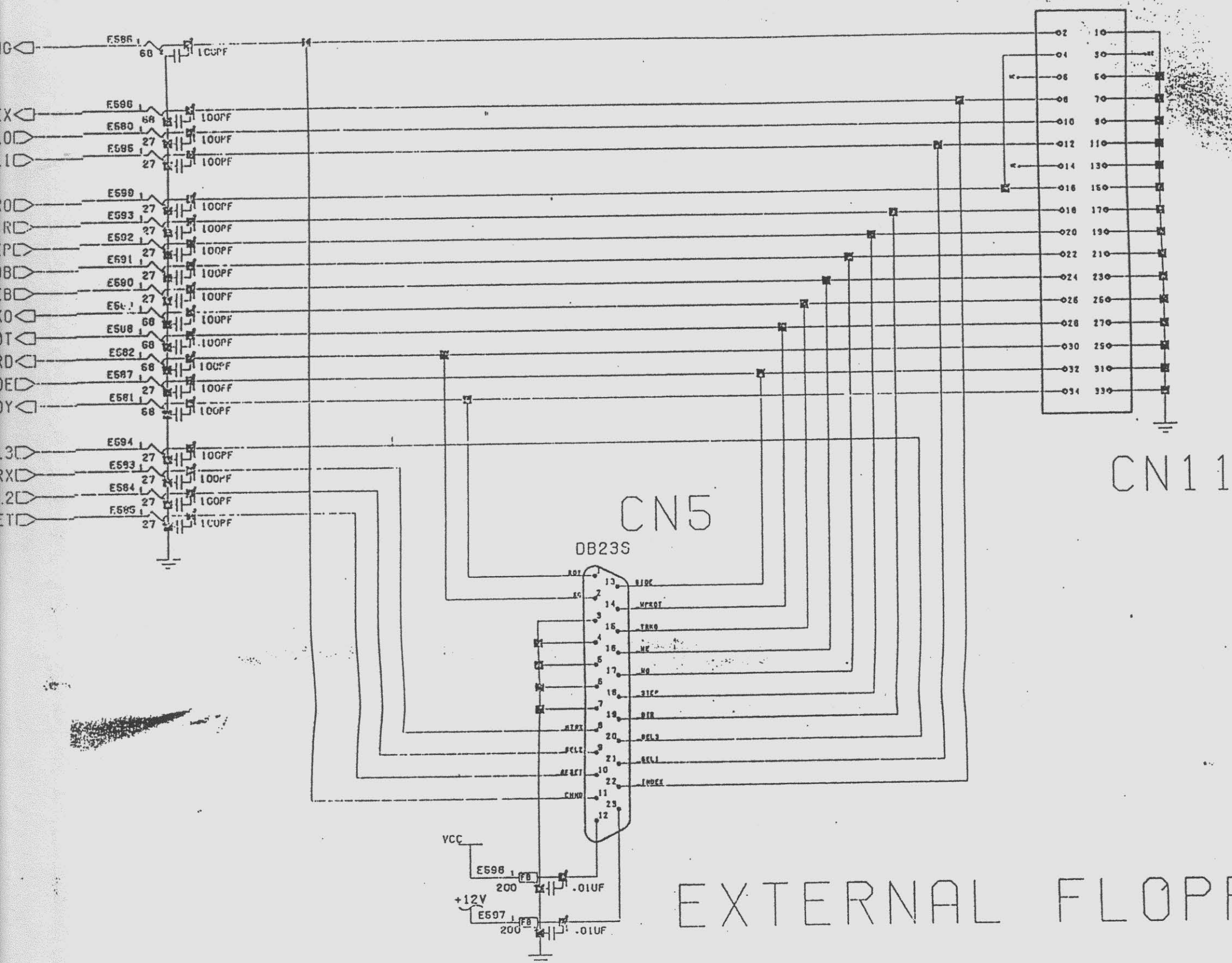
CN12

NOTE: SOME DRIVES ARE +5 ONLY...

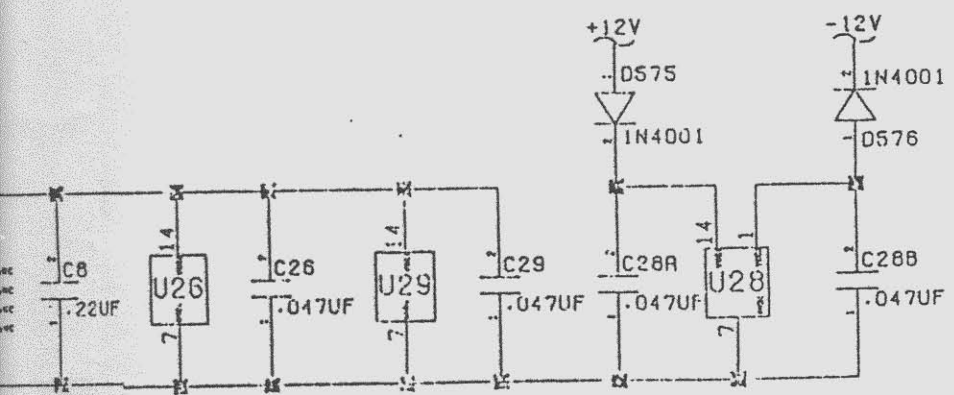


ALSCO REV 2

INTERNAL FLOPPY



EXTERNAL FLOPPY



DECOUPLING

THE REST OF THE FLOPPY STUFF

© 1991 COMODORE BUSINESS MACHINES
 INFORMATION CONTAINED HEREIN IS UNCLASSIFIED,
 CONFIDENTIAL AND TRADE SECRET PROPERTY OF
 COMODORE BUSINESS MACHINES, INC. ANY USE,
 REPRODUCTION OR DISCLOSURE OF THIS INFORMATION
 WITHOUT THE PRIOR WRITTEN PERMISSION OF
 COMODORE IS STRICTLY PROHIBITED.

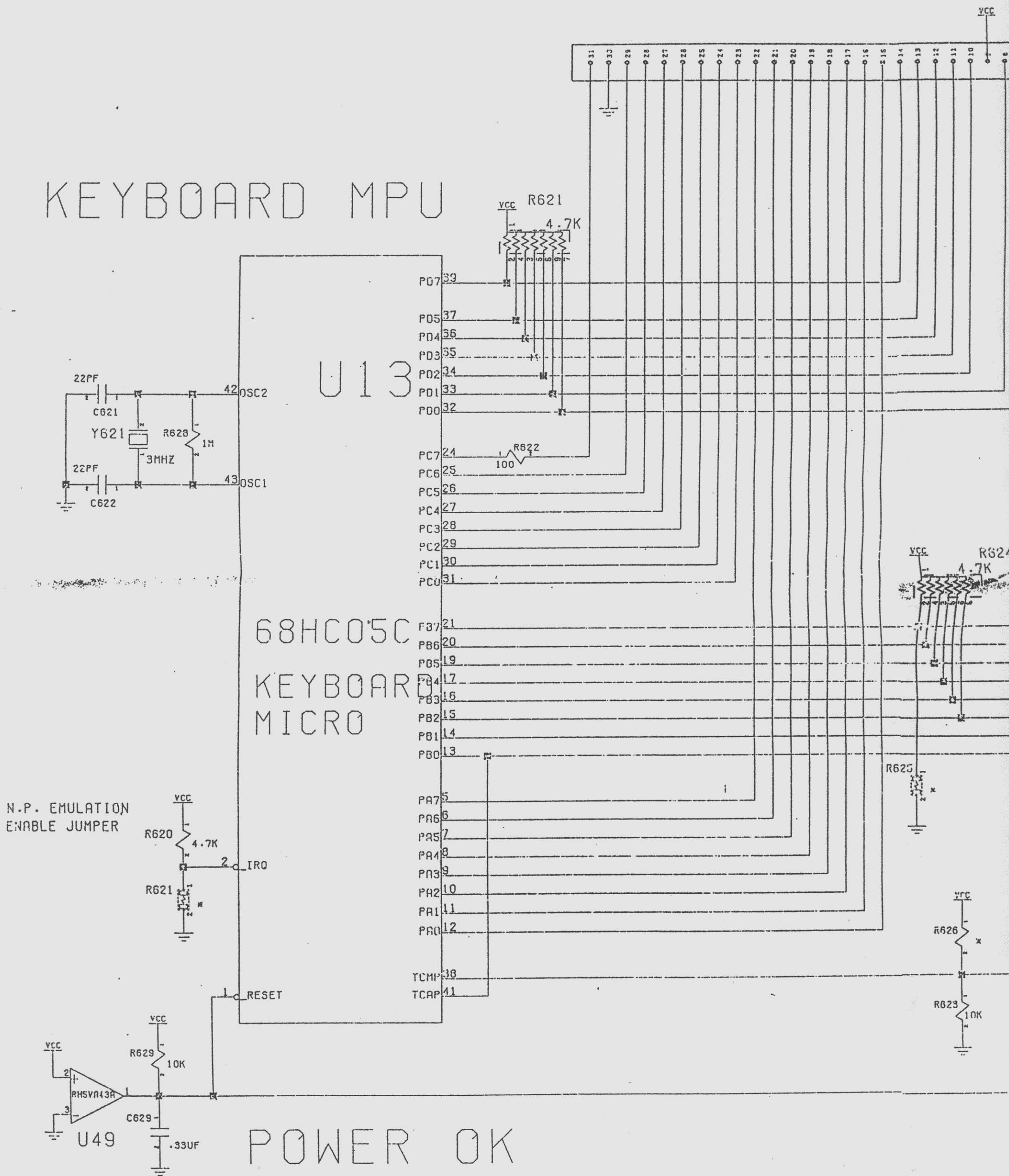
C.A.D. GENERATED
 NO OTHER CHANGES MAY BE MADE TO THIS DOCUMENT

DESIGN BY	DATE	COMODORE
DRAWN BY	DATE	
LAST BY	DATE	
CHECKED BY	DATE	
APPROVED BY	DATE	
U28 OR NEXT PART	U28	
C/R1200	365133	
SCALE		SHEET 8 OF 13

Y99905

KEYBOARD TAIL

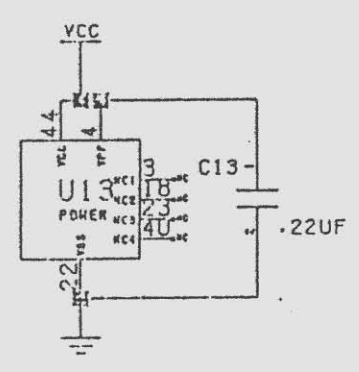
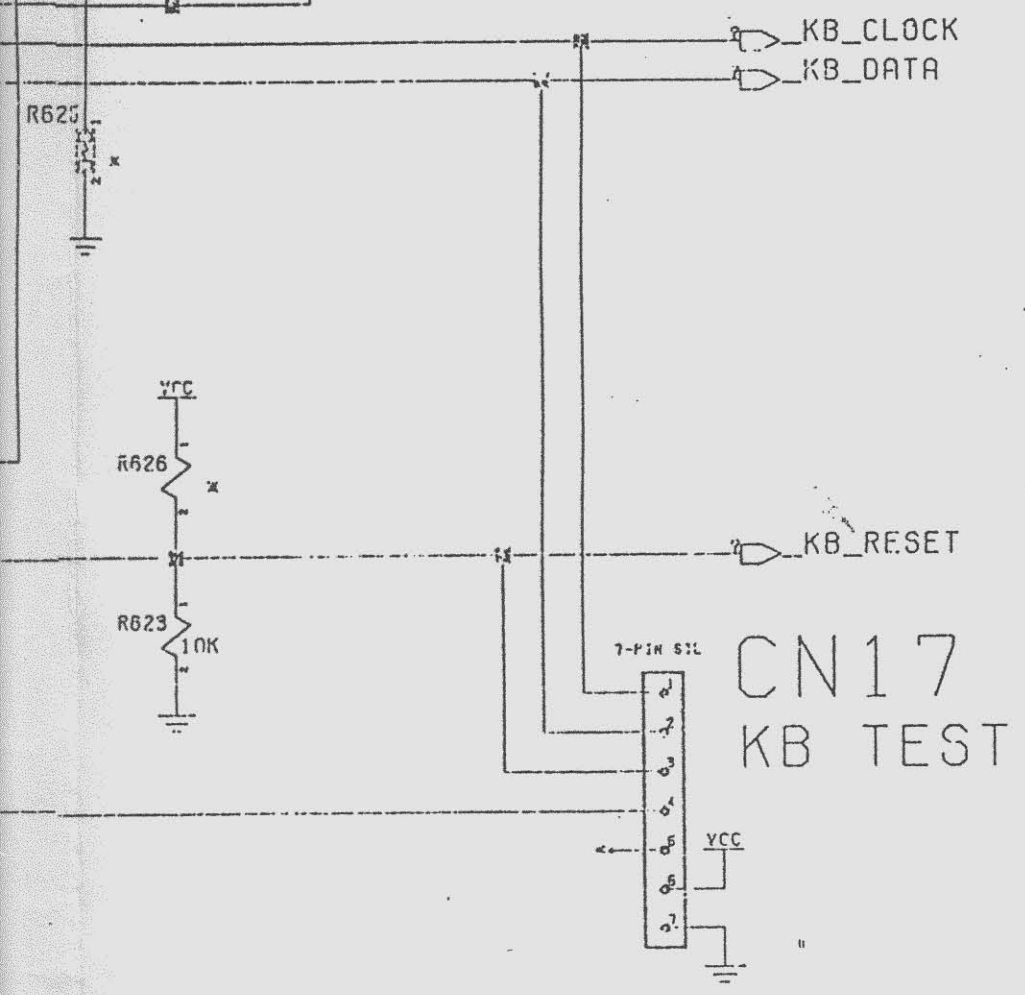
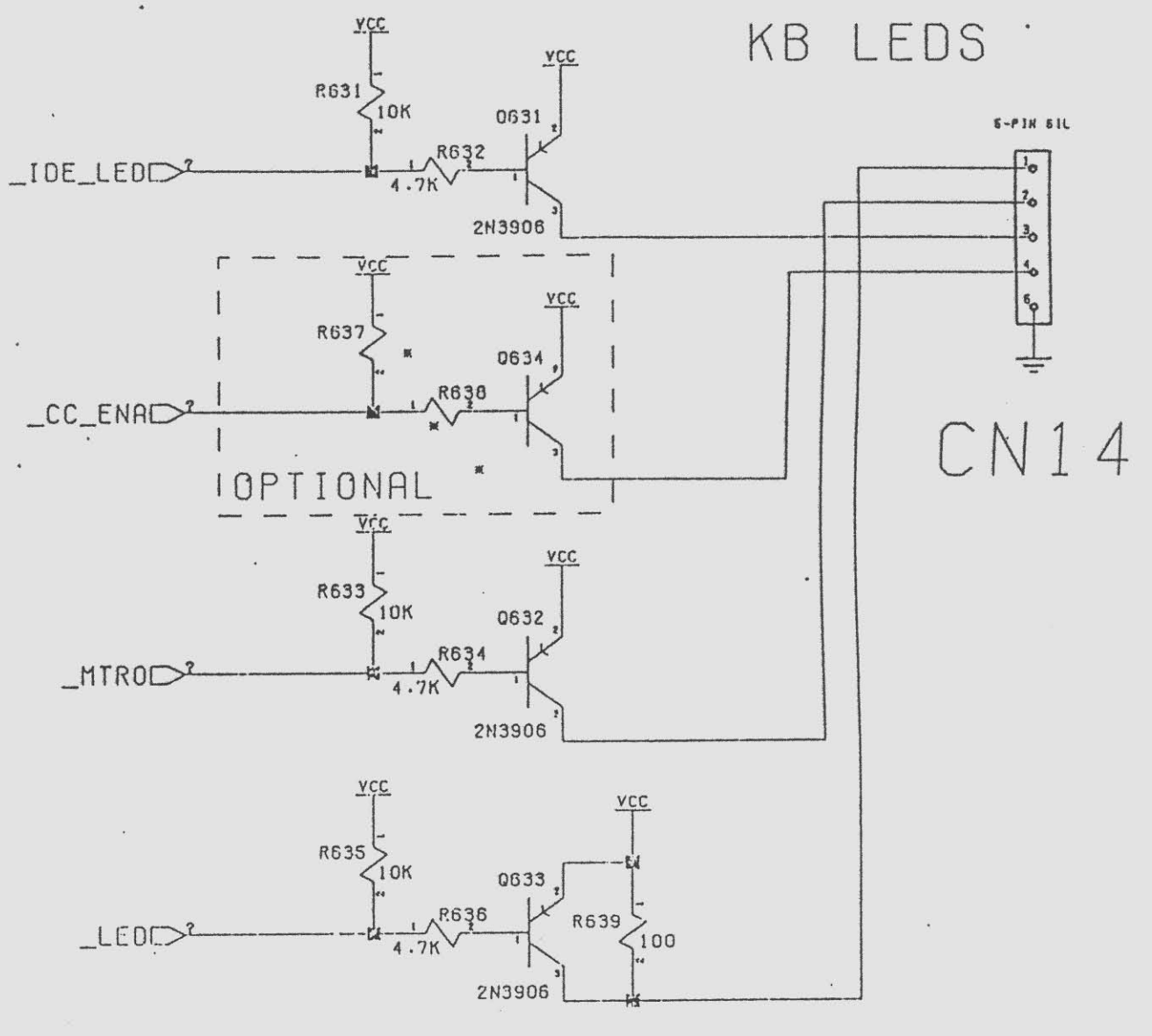
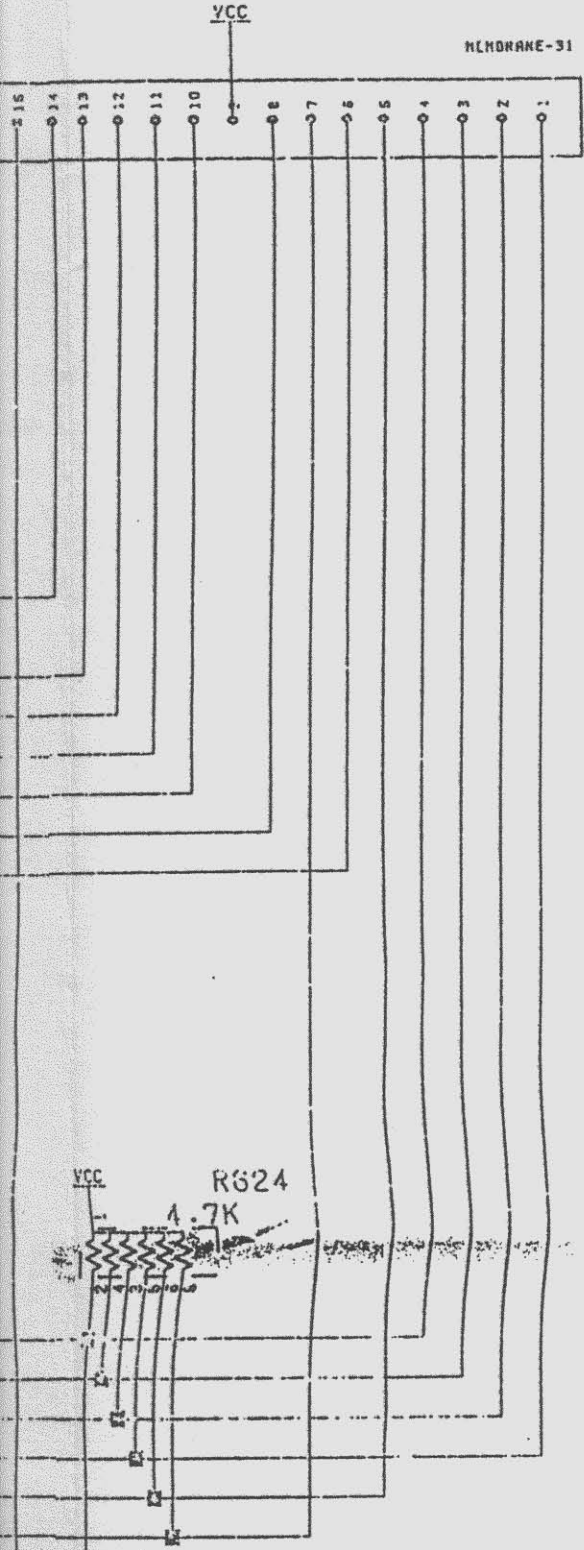
KEYBOARD MPU



1200 REV 2 PCB

5 V3A 0001A

TAIL CN13



THE NEW HOME OF THE KEYBOARD VIRUS

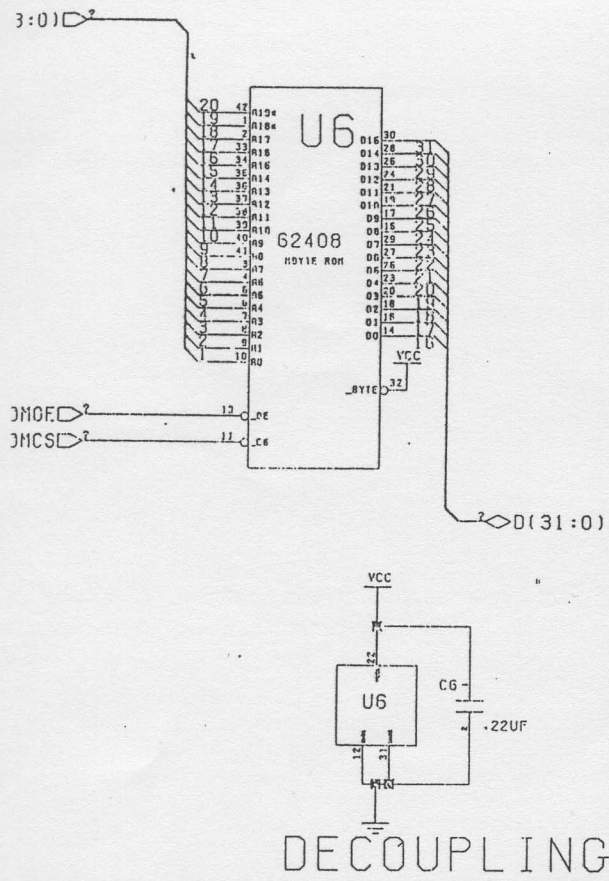
© 1981 COMMODORE BUSINESS CORPORATION. INFORMATION CONTAINED HEREIN IS UNCLASSIFIED. REPRODUCTION OR DISCLOSURE OF THIS INFORMATION WITHOUT THE WRITTEN PERMISSION OF COMMODORE IS STRICTLY PROHIBITED.

C.A.D. PREPARED

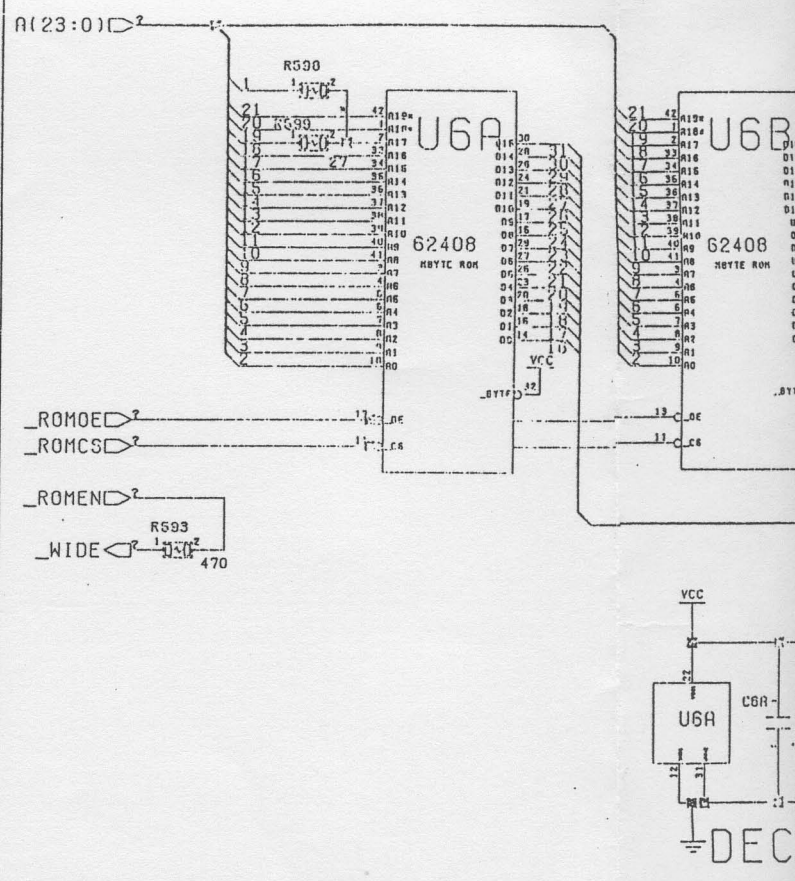
DESIGN BY	DATE	COMMODORE
D. ROBBINS	3/11/81	
SCHEMATIC	111200 R2	
C/R1200 MAIN BOARD	"CHANNEL 7"	
SCALE	1/8" = 1"	

365133

REVERSE BOARD W/BO 09M 09A08192

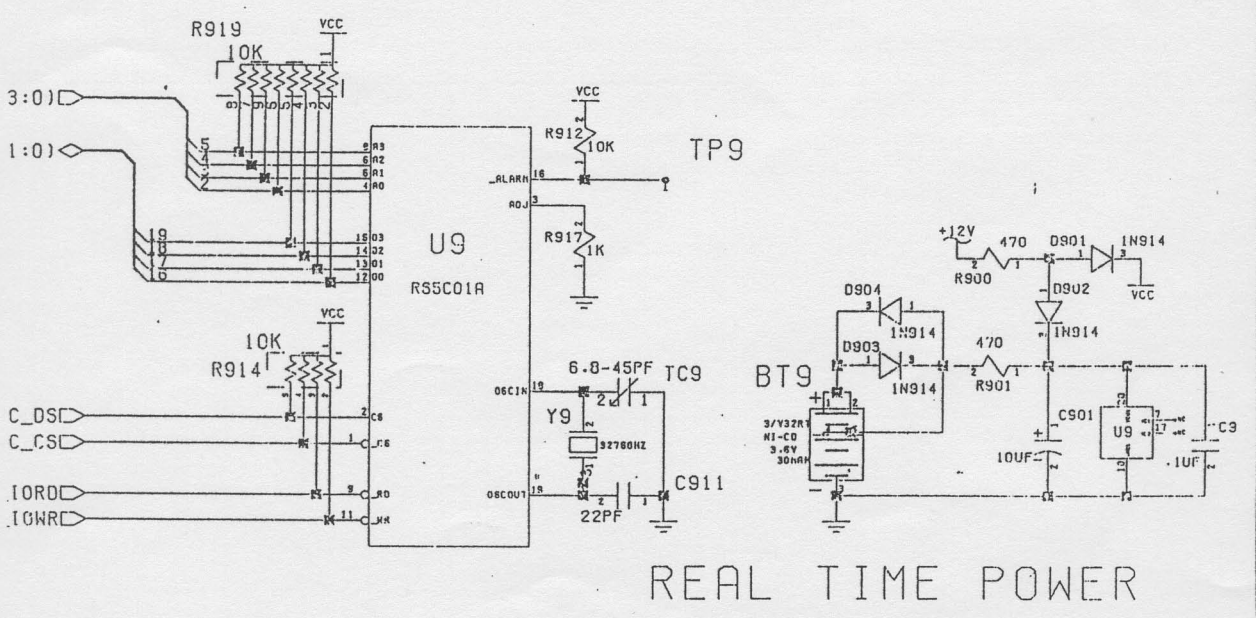


ROM16="YES"



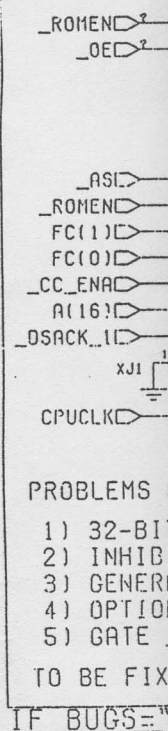
IF ROM32="YES"

16 AND 32-BIT SOCKETS MAY OVERLAP



REAL TIME POWER

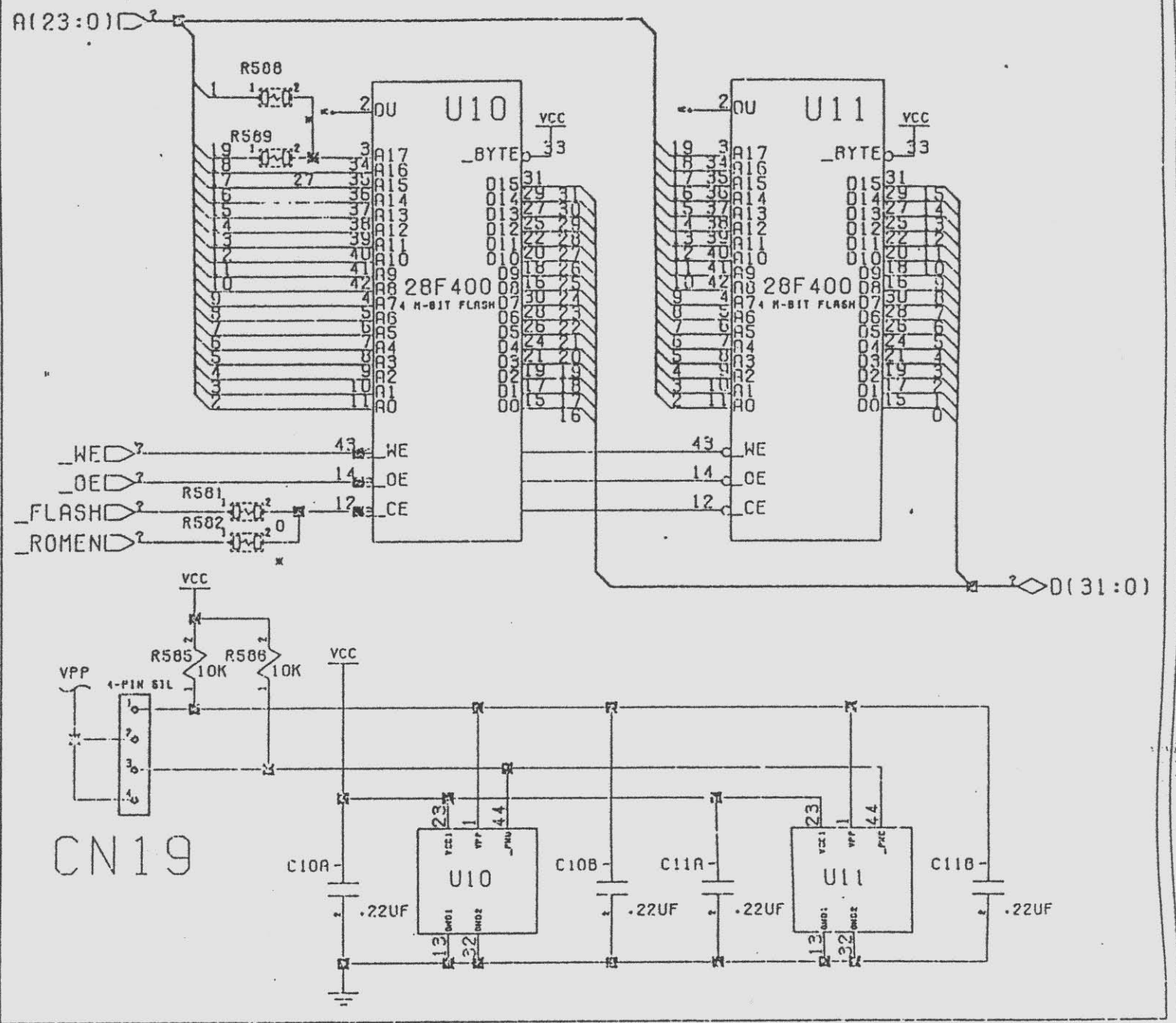
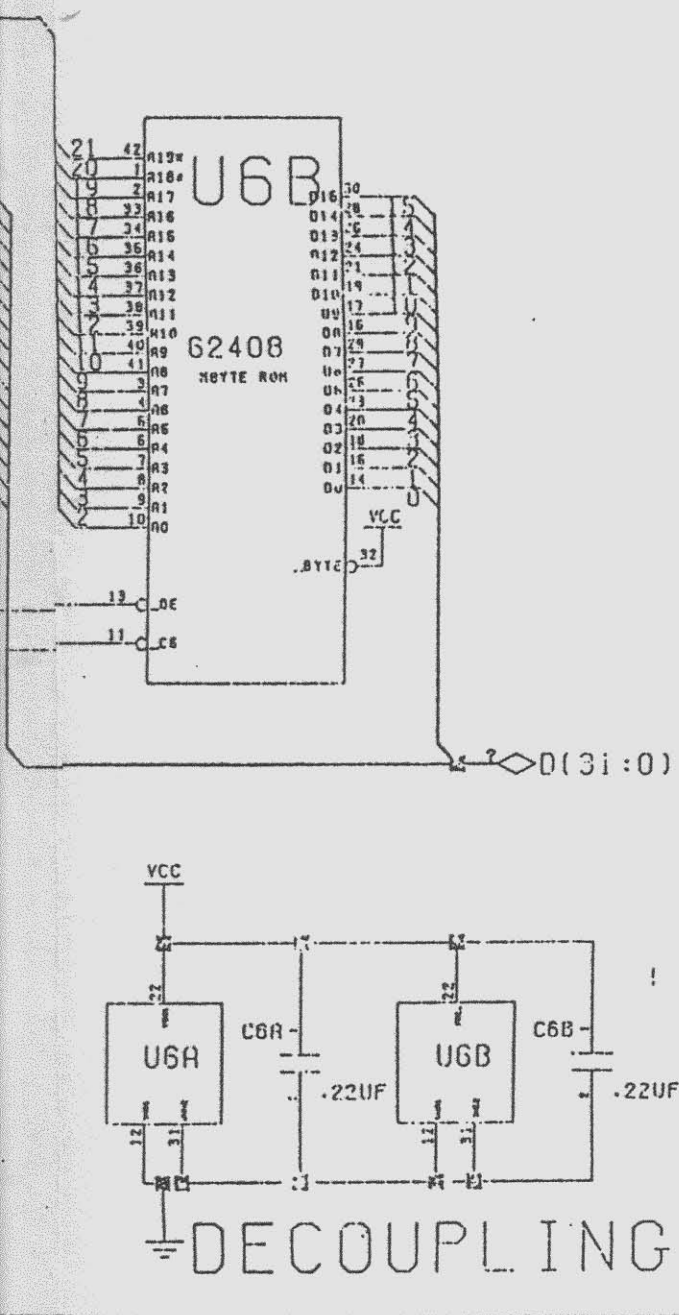
RTC="YES"



OPTIONAL REAL-TIME CLOCK/CALENDAR

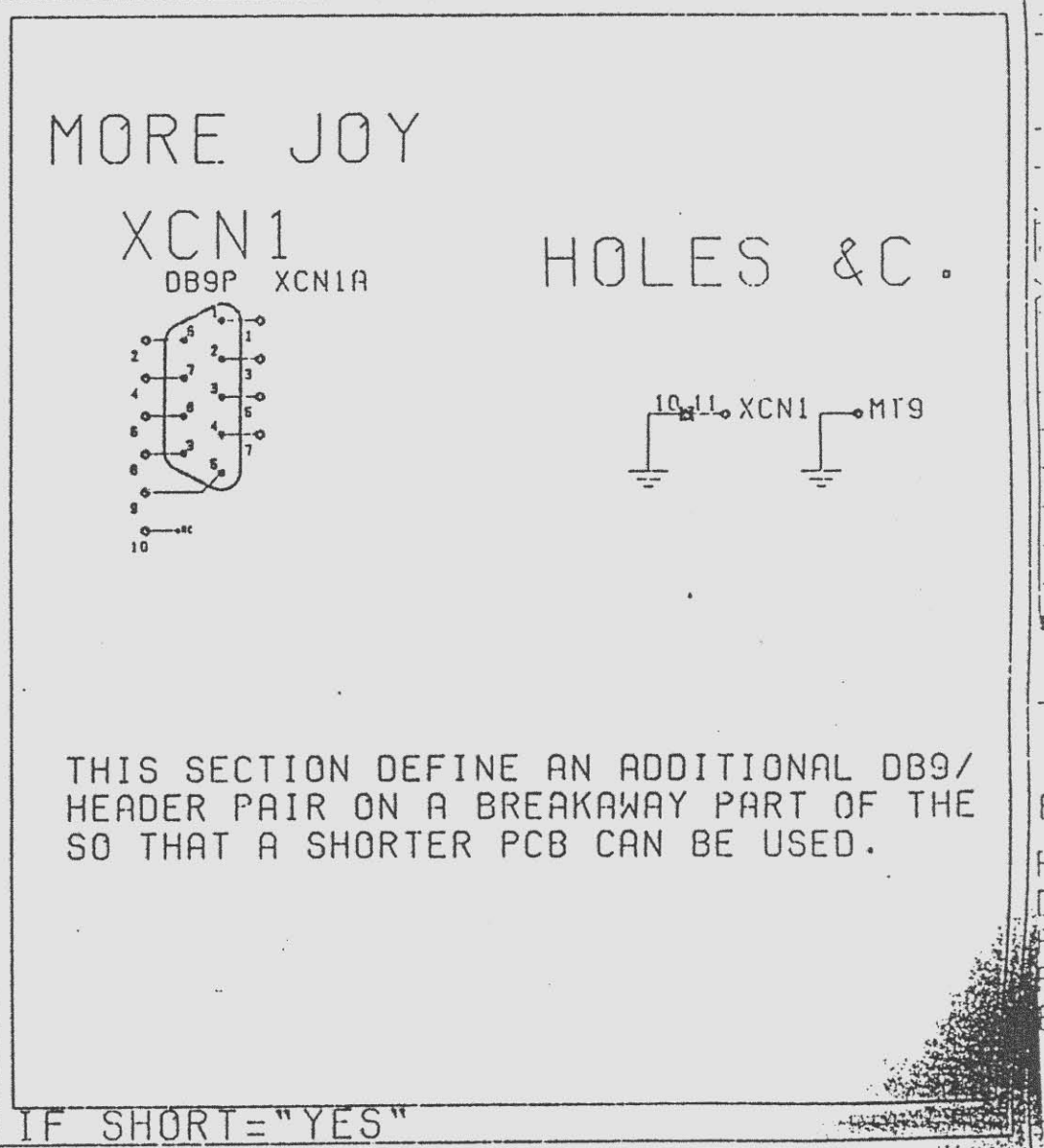
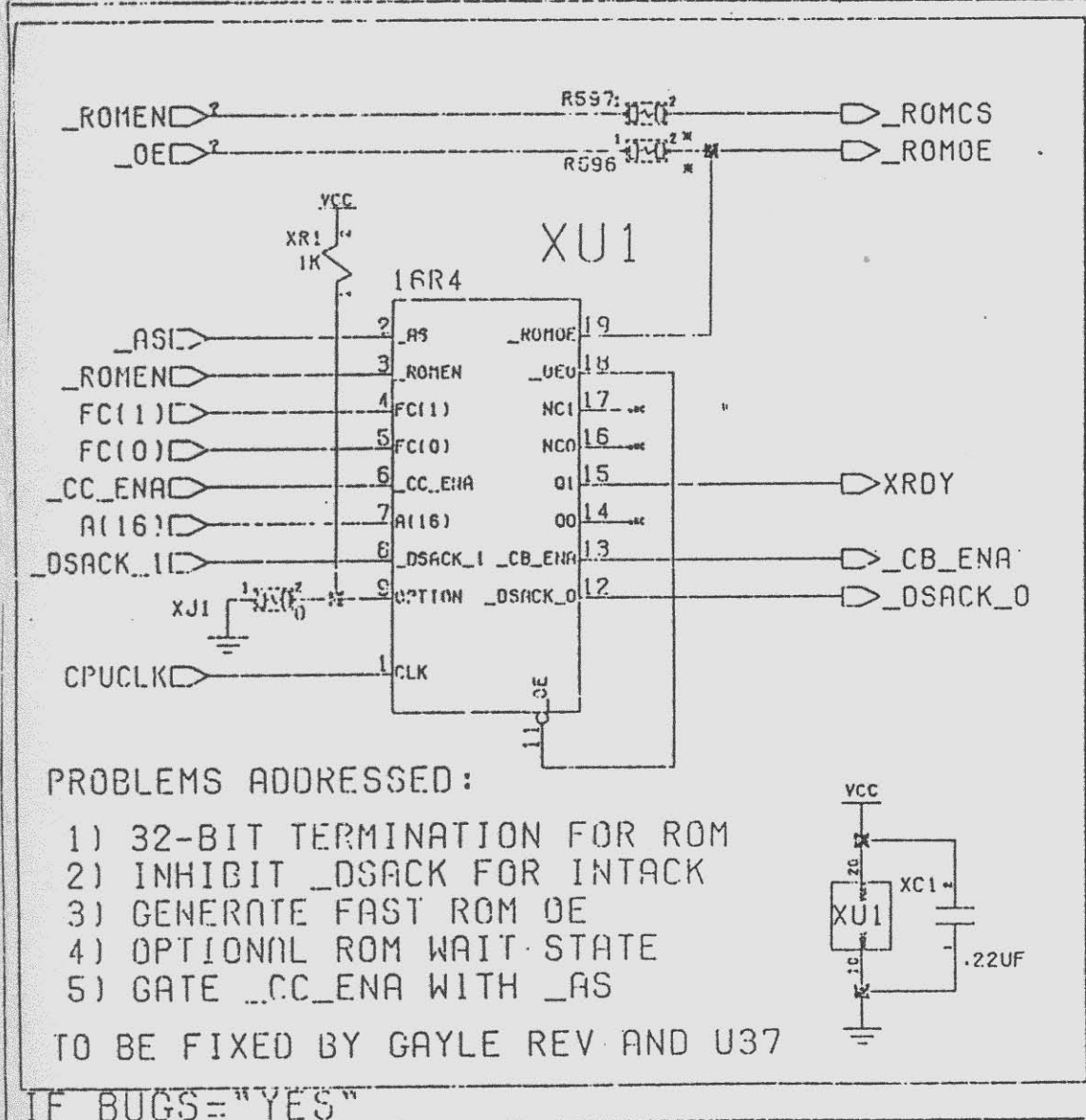
1200 REV 2 PCB

11 11011 238 257A



VERLAP!

OPTIONAL FLASH MEMORY



BUGGERY

SHORT PCB, TRIX

ROM - PLAIN AND FANCY - 000003 1001

© 1991 COMMODORE BUSINESS MACHINES
 INFORMATION CONTAINED HEREIN IS THE UNCLASSIFIED,
 CONFIDENTIAL AND TRADE SECRET PROPERTY OF
 COMMODORE BUSINESS MACHINES, INC. AND IS
 A PRODUCT OF OR DISCLOSED BY THE EMPLOYEES
 HEREBY THE PRIOR WRITTEN PERMISSION OF
 COMMODORE IS STRICTLY PROHIBITED.

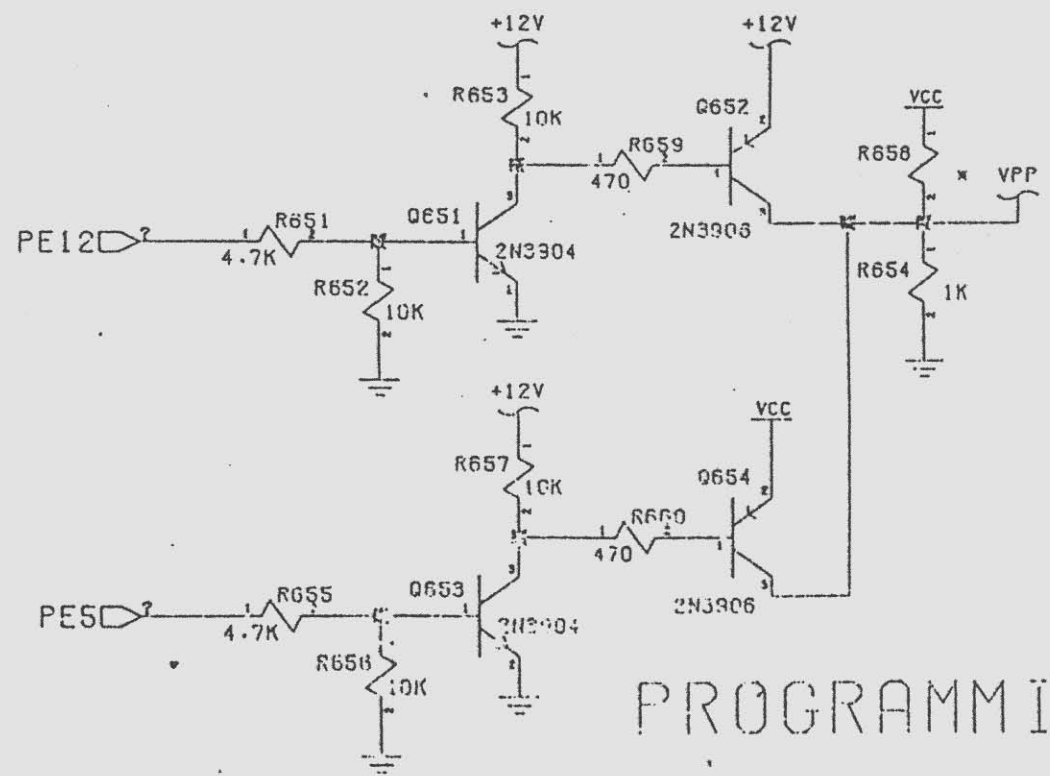
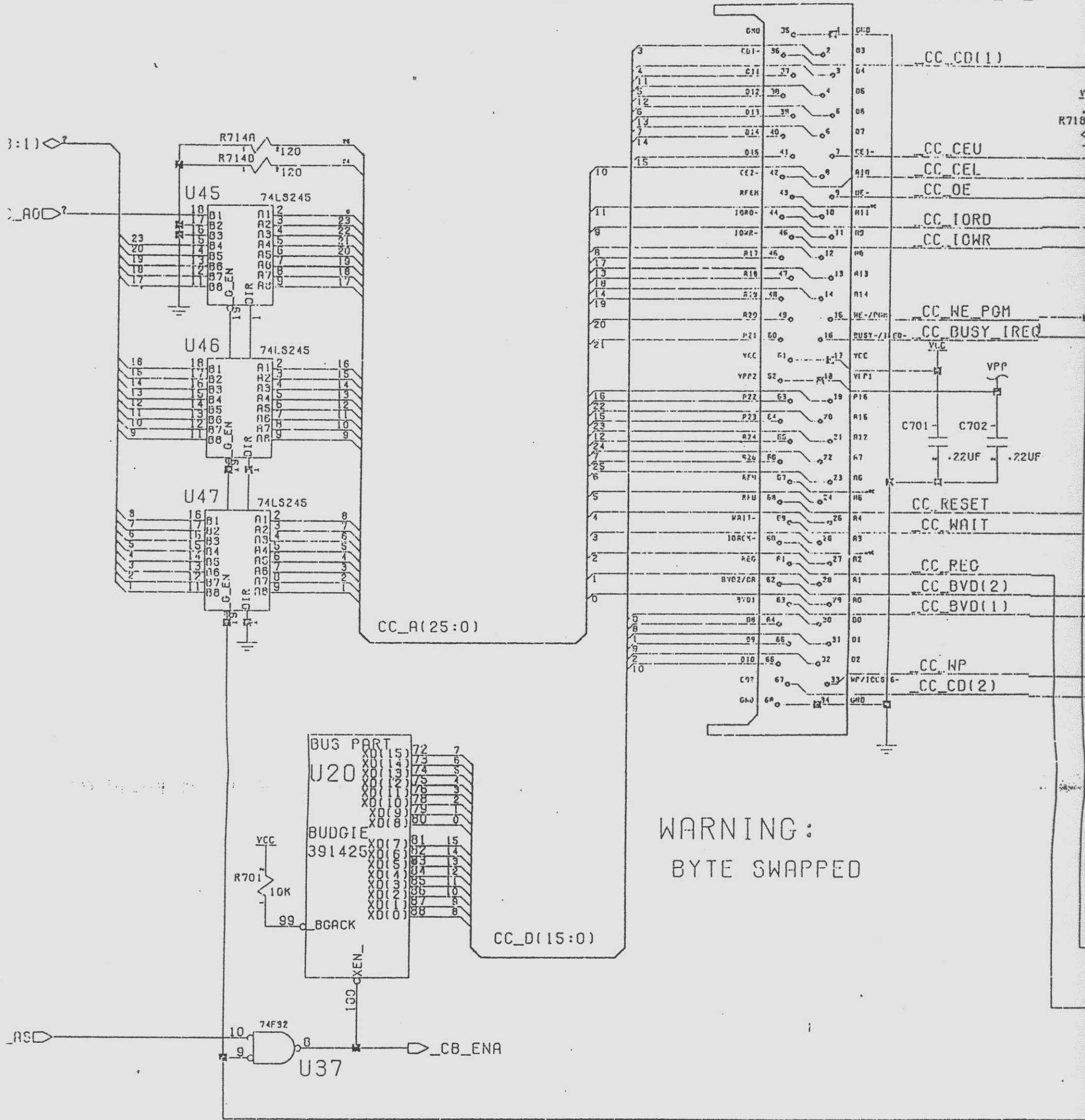
C.A.D. GENERATED
 NO MANUAL CHANGES MAY BE MADE TO THIS DOCUMENT

COMMODORE
 SCHEMATIC A1200 M2
 C/A1200 MAIN BOARD
 CHANNEL Z
 365133
 SCALE 1:1

STA, H2A39, M02

MEMORY CARD

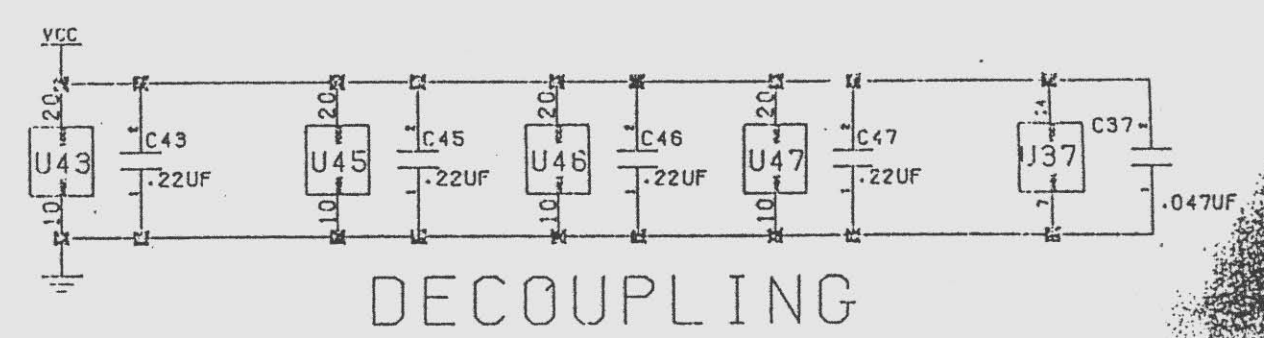
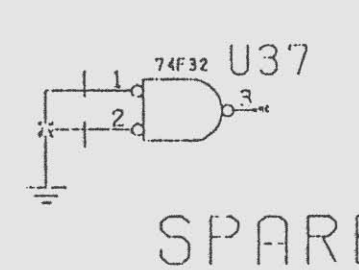
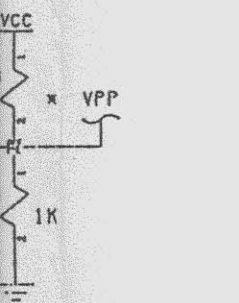
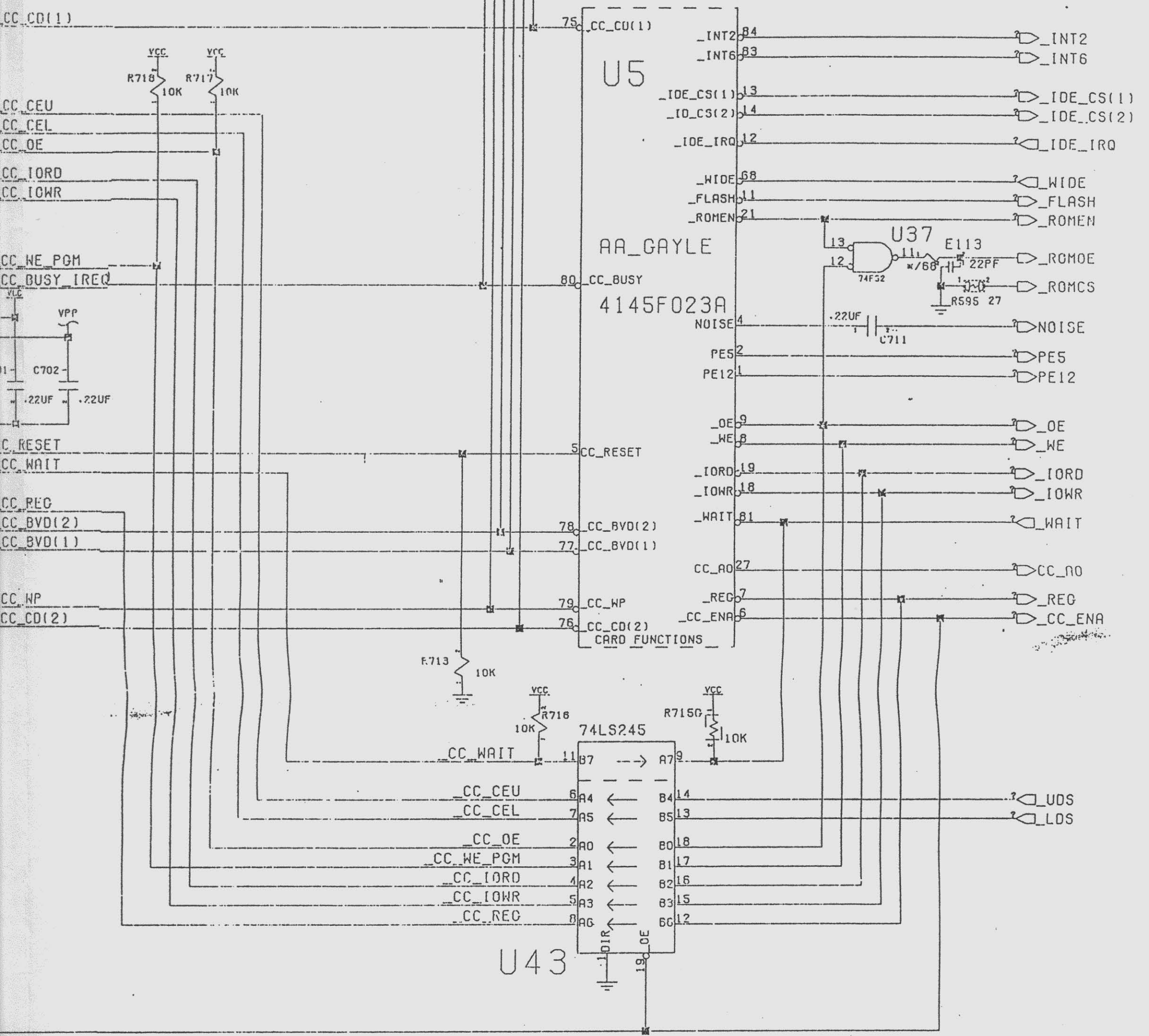
CN15



200 REV 2 PCB

PROGRAMMING V

CN15



IMMING VOLTAGE

THE KISSY FACE CREDIT CARD MONSTER

© 1991 COMMODORE BUSINESS MACHINES
 INFORMATION CONTAINED HEREIN IS THE UNPUBLISHED
 CONFIDENTIAL AND TRADE SECRET PROPERTY OF
 COMMODORE BUSINESS MACHINES, INC. ANY USE,
 REPRODUCTION OR DISCLOSURE OF THIS INFORMATION
 WITHOUT THE PRIOR WRITTEN PERMISSION OF
 COMMODORE IS STRICTLY PROHIBITED.

C.O.D. GENERATED

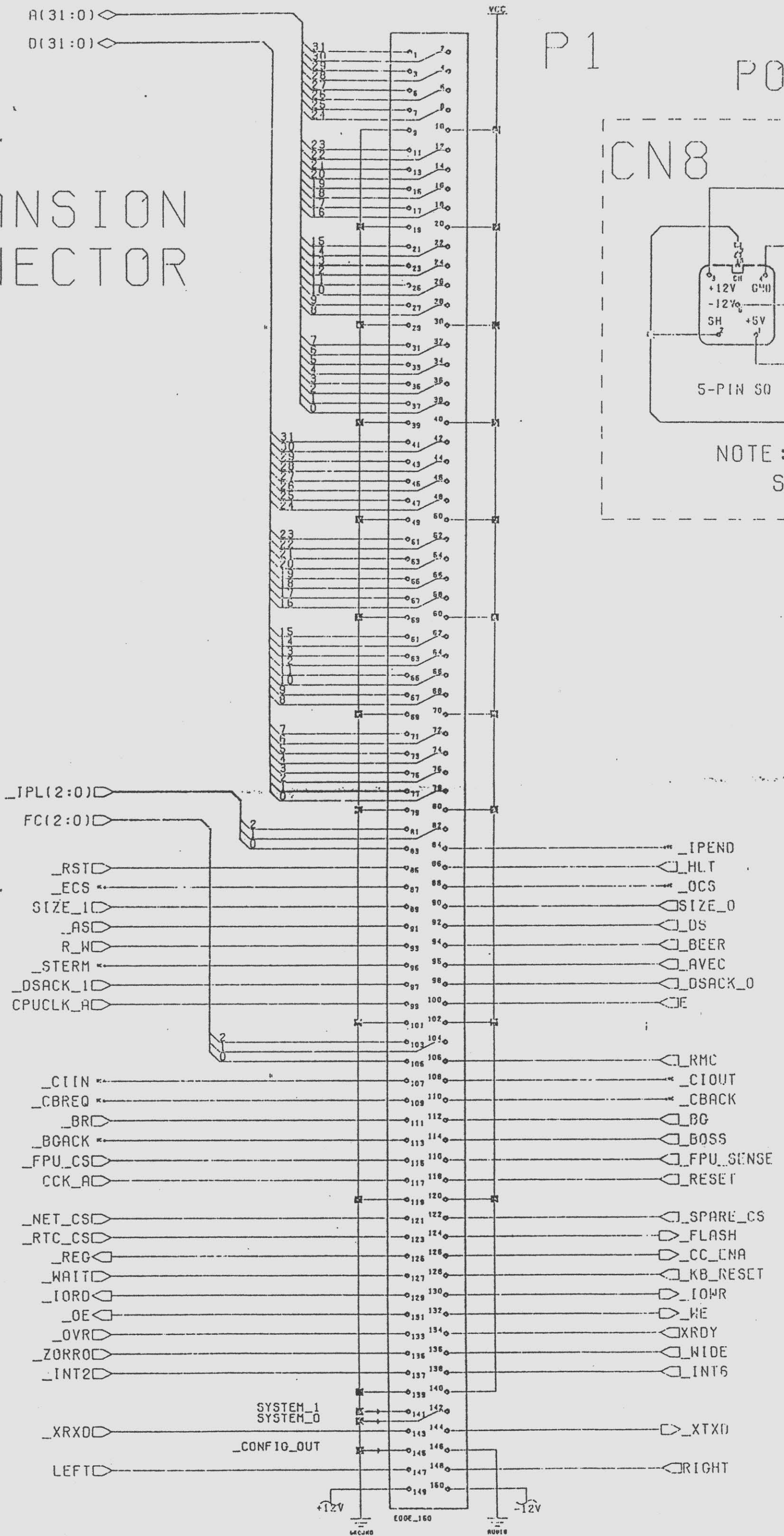
NO OTHER COPY IS TO BE MADE TO THIS PROJECT

DESIGN	DATE	3/12/91
REVISED	DATE	
BY	DATE	
CHKD	DATE	
APP'D	DATE	
DATE	SCALE	
SHEET 11 OF 1		

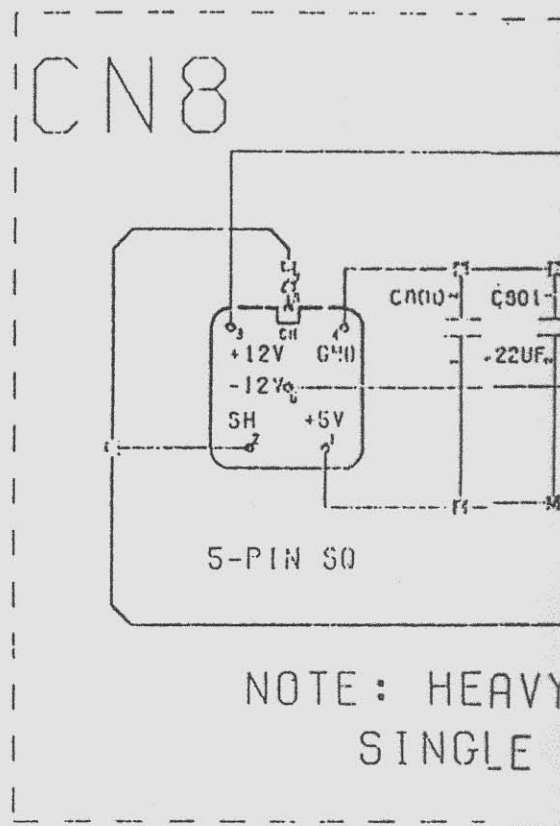
365133

1209 123 123

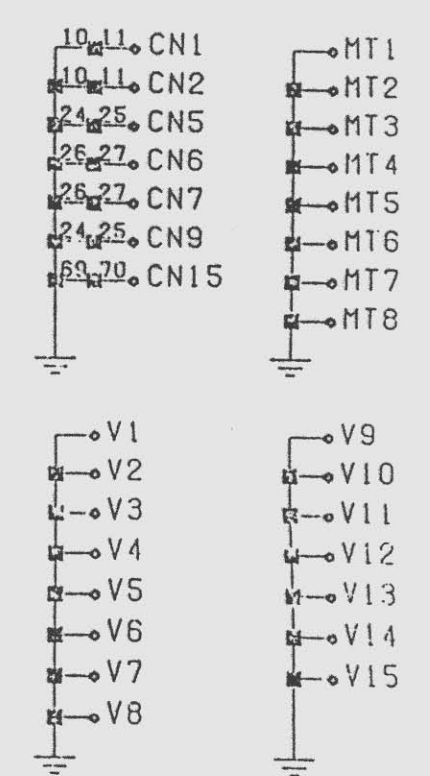
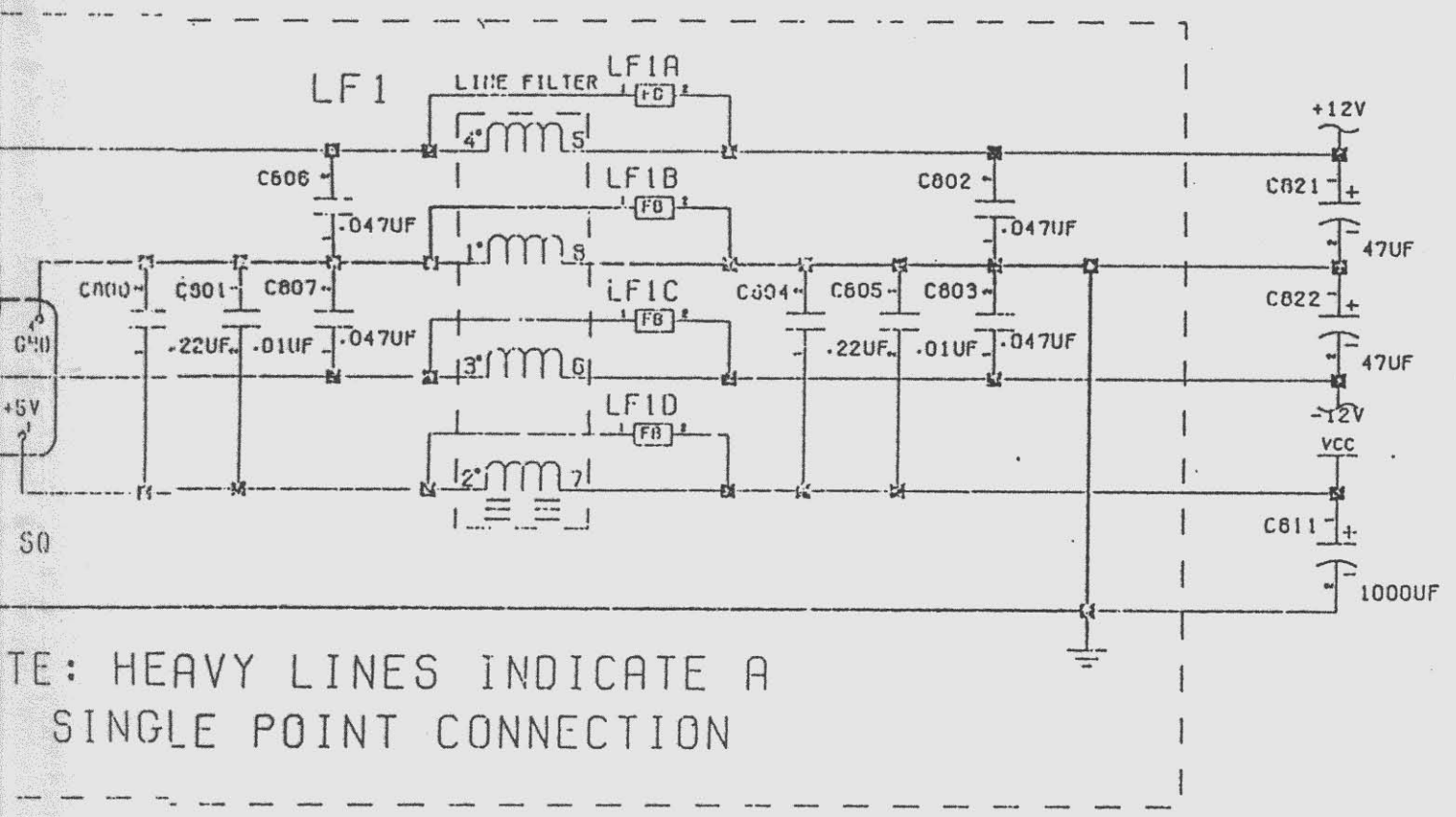
EXPANSION CONNECTOR



P1 POWER

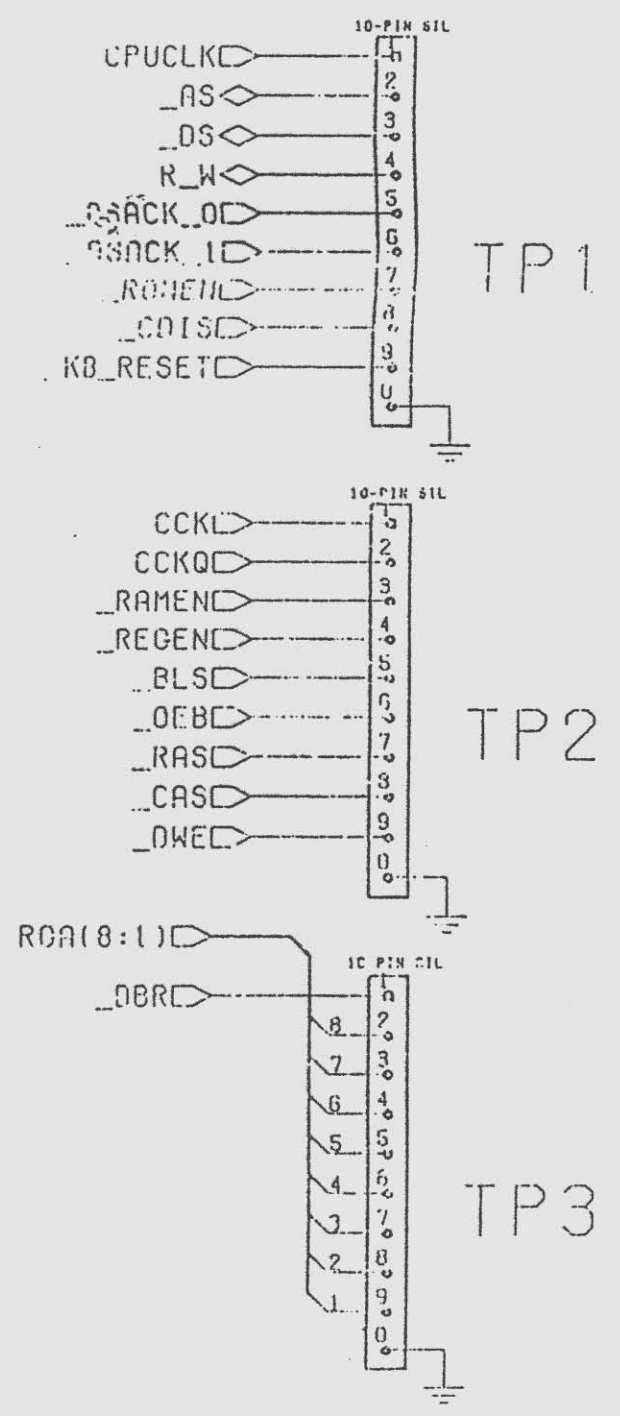


POWER INPUT FILTER

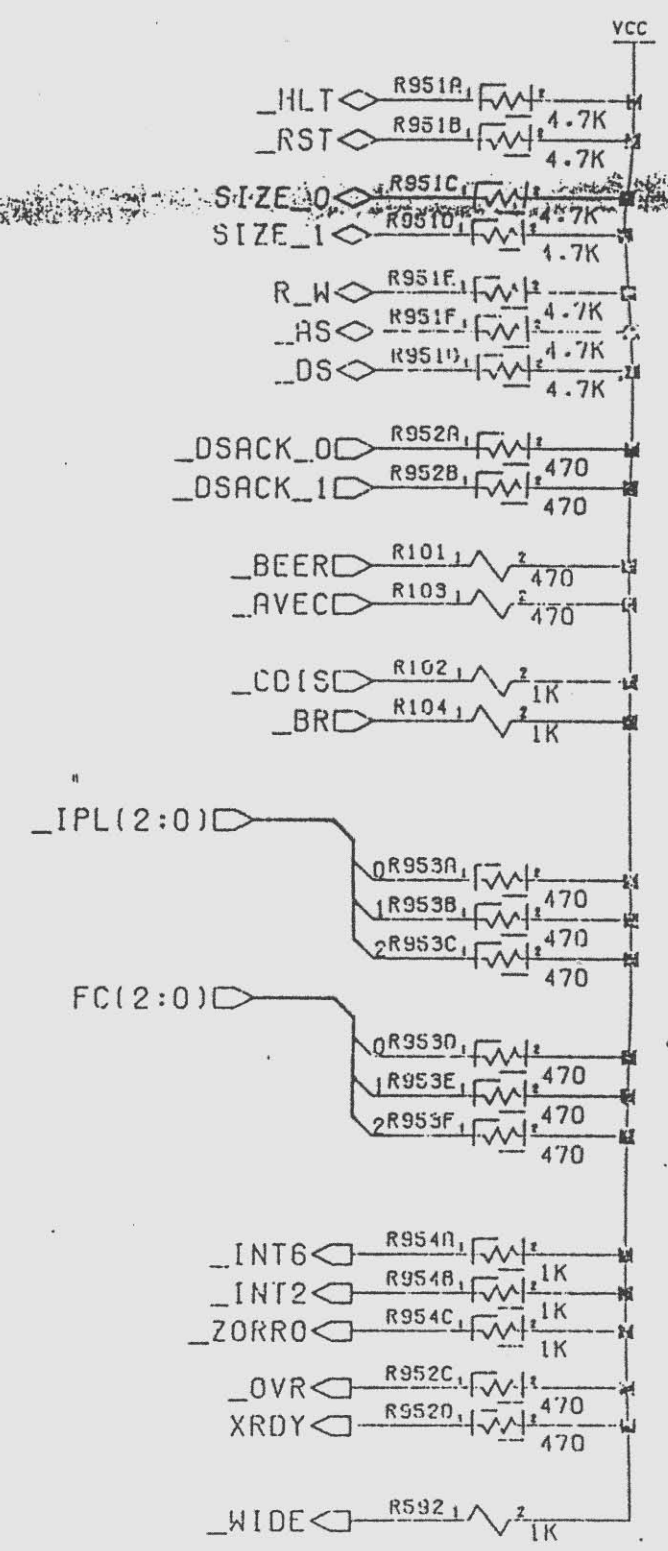


NOTE: HEAVY LINES INDICATE A SINGLE POINT CONNECTION

TEST ACCESS



TERMINATION



SYSTEM CONFIGURATION BITS

SYSTEM	1	0	CPU/CPUCLK
	0	0	EC020/14MHZ
	0	1	U20/14MHZ
	1	0	O30/14MHZ
	1	1	O30/>14MHZ

21/2 Test, W018A9 x3